

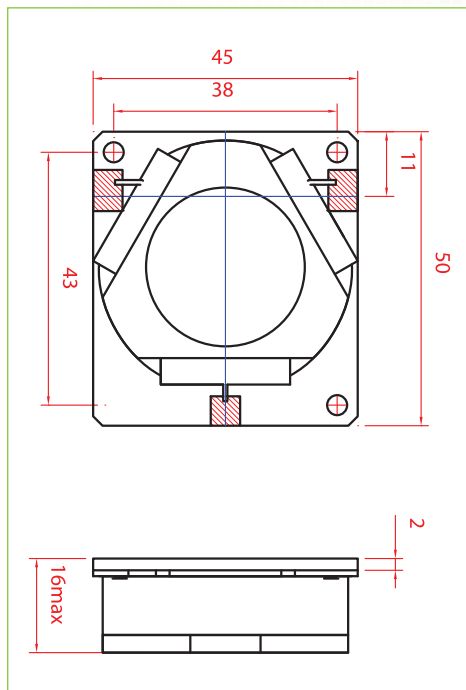
# VHF Drop-In Isolators & Circulators

## FEATURES

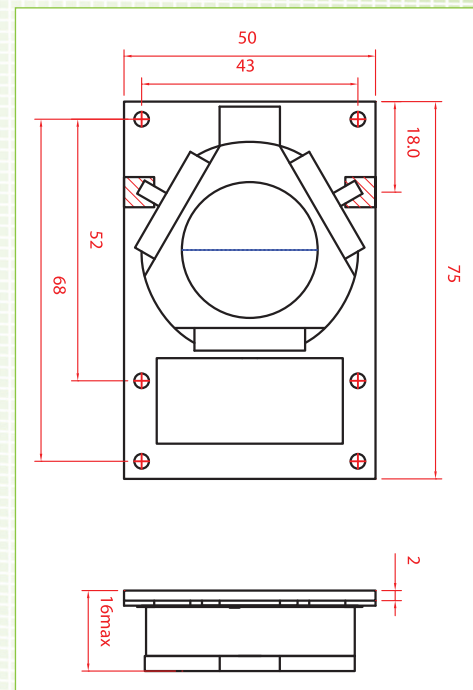
- Circulators and Isolators available
- High power, high performance
- Low Profile, low weight
- Designed to survive Short circuit and Open Circuit conditions within 5min

## SPECIFICATIONS

Frequency Range	150 to 175MHz		180 to 220MHz	
Insertion Loss	0.6dB	0.8dB	0.6dB	0.8dB
Isolation	19dB	17dB	19dB	17dB
VSWR	1.25	1.35	1.25	1.35
Operating Temperature	+25C	-30 to +65C	+25C	-30 to +65C
Operating Power:	150 W avg / 1500W peak			



Circulator Layout



Isolator layout