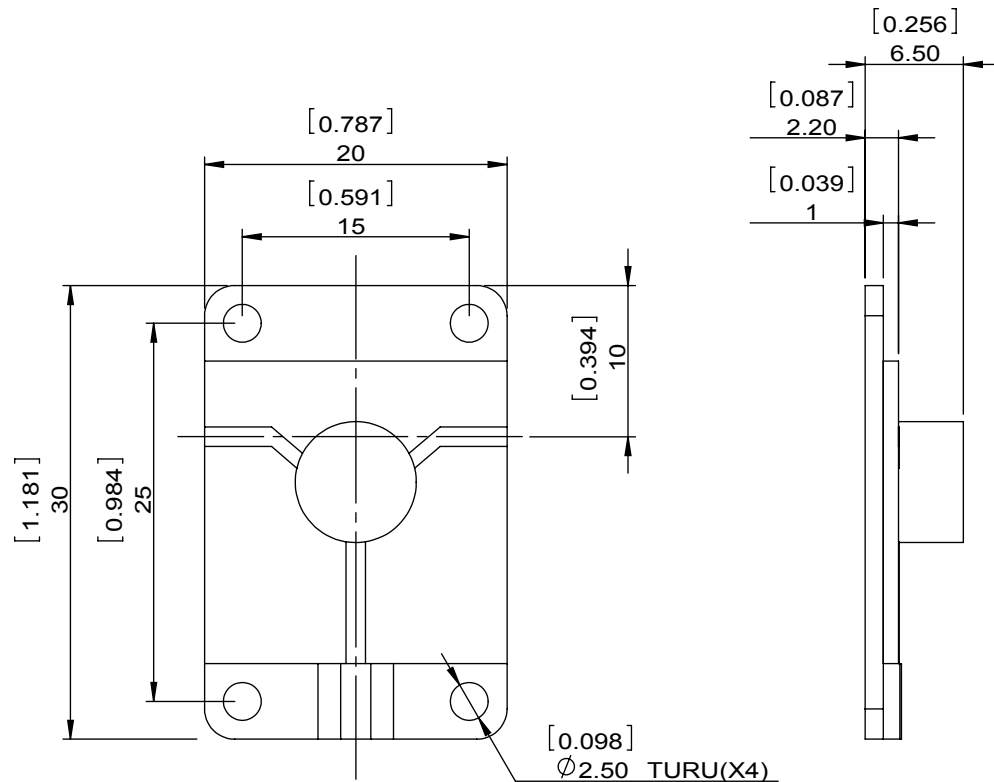


1		2		3		4		5		6	
Document No. QR4-700-T-003								REV. DESCRIPTION REVISOR DATE APPROVED			
REV. A/0								0		LH.Mao 12.01.2016 David	



SPECIFICATIONS	
Part's Number	3CMS23-4
Frequency(GHz)	2.10-2.50
Direction	CW
Insertion Loss(dB)MAX	0.4
Insertion Loss Ripple	
Isolation(dB)MIN	20
Return Loss(dB)MIN	20.08
3rd IMD(dBc)MAX	
Power FWD/REV/PK(Watt)	5/5/-
Operating Temperature(°C)	-10~+50
Storage Temperature(°C)	
2nd/3rd Harmonic(dBc)	
Termination/Attenuator(Watt/dB)	5
Tab(W×LG×THK)(mm[Inch])	
Additional Notes	GWB

DORADO Millimeter Corp				
MATERIAL:		DWG NO: 3CMS23-4		
SURFACE TREATMENT:		DWG BY: LH.Mao	12.01.2016	SCALE
DESCRIPTION: MICROSTRIP CIRCULATOR		CHK'D BY:		2:1
		APPV'D BY:		
		Unit: mm[inch]	Tolerance: Liner: ±0.25 Anguar: ±0.5°	A4
		The First:		



This document is the property of DORADO Millimeter Corp. It cannot be copied, duplicated, used for manufacturing purposes or communicated to third party as a whole or partly, without the written consent of DORADO Millimeter Corp.