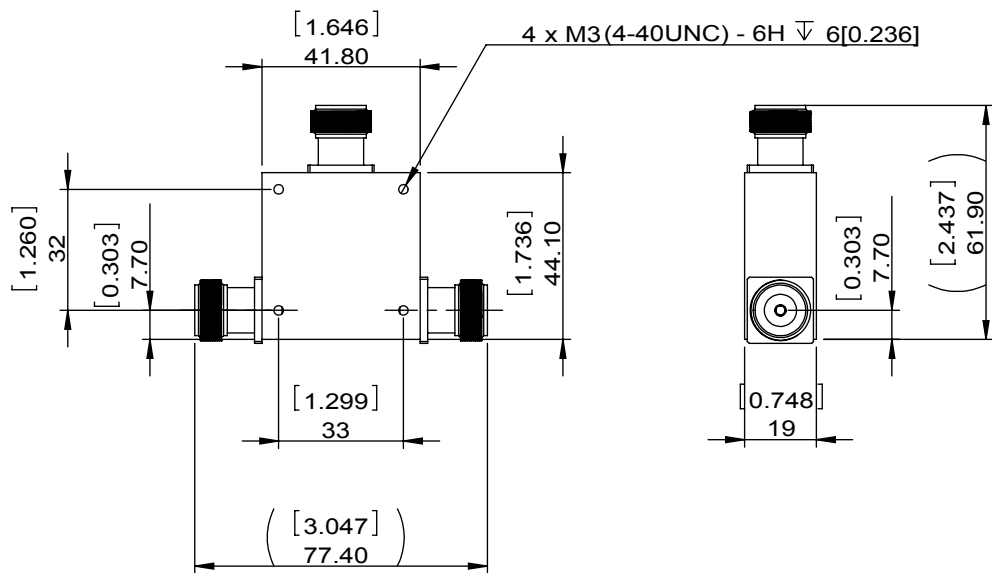


1		2		3		4		5		6	
Document No.	QR4-700-T-003	REV.	A/0	REV.	DESCRIPTION	REVISOR	DATE	APPROVED			
		0		LH.Mao		02.22.2017	David				



SPECIFICATIONS	
Part's Number	3ICS40-1
Frequency(GHz)	3.20~4.80
Direction	CW
Insertion Loss(dB) TYP/MAX	0.3/0.3
Insertion Loss Ripple	
Isolation(dB) TYP/MIN	20/18
Return Loss(dB) TYP/MIN	19.08/17.69
3rd IMD(dBc)MAX	
Power FWD/REV/PK(Watt)	35/-/-
Operating Temperature(°C)	25/-60~+85
Storage Temperature(°C)	
2nd/3rd Harmonic(dBc)	
Termination/Attenuator(Watt/dB)	
Tab(W×LG×THK)(mm[Inch])	
Additional Notes	GWB

DORADO Millimeter Wave				
MATERIAL:		DWG NO: 3ICS40-1		
SURFACE TREATMENT:		DWG BY:	LH.Mao	02.22.2017
DESCRIPTION: BROADBAND ISOLATOR		CHK'D BY:		SCALE
		APPV'D BY:		1:2
		Unit: mm[inch]	Tolerance: Liner: ±0.25 Anguar: ±0.5°	The First:
				A4



This document is the property of DORADO Millimeter Corp. It cannot be copied, duplicated, used for manufacturing purposes or communicated to third party as a whole or partly, without the written consent of DORADO Millimeter Corp.