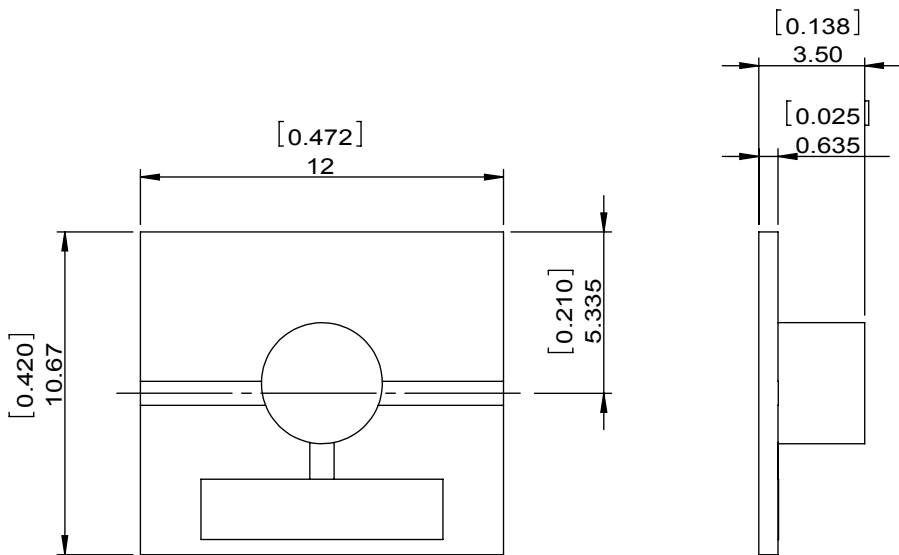


| | | | | | | | | | | | |
|--------------|---------------|------|-----|--------|-------------|------------|-------|----------|--|---|--|
| 1 | | 2 | | 3 | | 4 | | 5 | | 6 | |
| Document No. | QR4-700-T-003 | REV. | A/0 | REV. | DESCRIPTION | REVISOR | DATE | APPROVED | | | |
| | | 0 | | LH.Mao | | 11.16.2016 | David | | | | |



| SPECIFICATIONS | |
|---------------------------------|-----------|
| Part's Number | 3IMM65-2 |
| Frequency(GHz) | 5.80-7.10 |
| Direction | CW |
| Insertion Loss(dB)MAX | 0.6 |
| Insertion Loss Ripple | |
| Isolation(dB)MIN | 16 |
| Return Loss(dB)MIN | 15.56 |
| 3rd IMD(dBc)MAX | |
| Power FWD/REV/PK(Watt) | 5/1/- |
| Operating Temperature(°C) | -10~+70 |
| Storage Temperature(°C) | |
| 2nd/3rd Harmonic(dBc) | |
| Termination/Attenuator(Watt/dB) | 1 |
| Tab(W×LG×THK)(mm[Inch]) | |
| Additional Notes | GWB |

DORADO INTERNATIONAL **DORADO Millimeter Corp**

| | | | | |
|---|----------------------------|-------------------------------|------------|-------|
| MATERIAL: | DWG NO: 3IMM65-2 | | | |
| SURFACE TREATMENT: | DWG BY: | LH.Mao | 11.16.2016 | SCALE |
| | CHK'D BY: | | | |
| DESCRIPTION: MICROSTRIP ISOLATOR | APPV'D BY: | | | 4:1 |
| | Unit: | Tolerance: | The First: | A4 |
| | mm[inch] | Liner: ±0.25 Anguar: ±0.5° | | |



This document is the property of DORADO Millimeter Corp. It cannot be copied, duplicated, used for manufacturing purposes or communicated to third party as a whole or partly, without the written consent of DORADO Millimeter Corp.