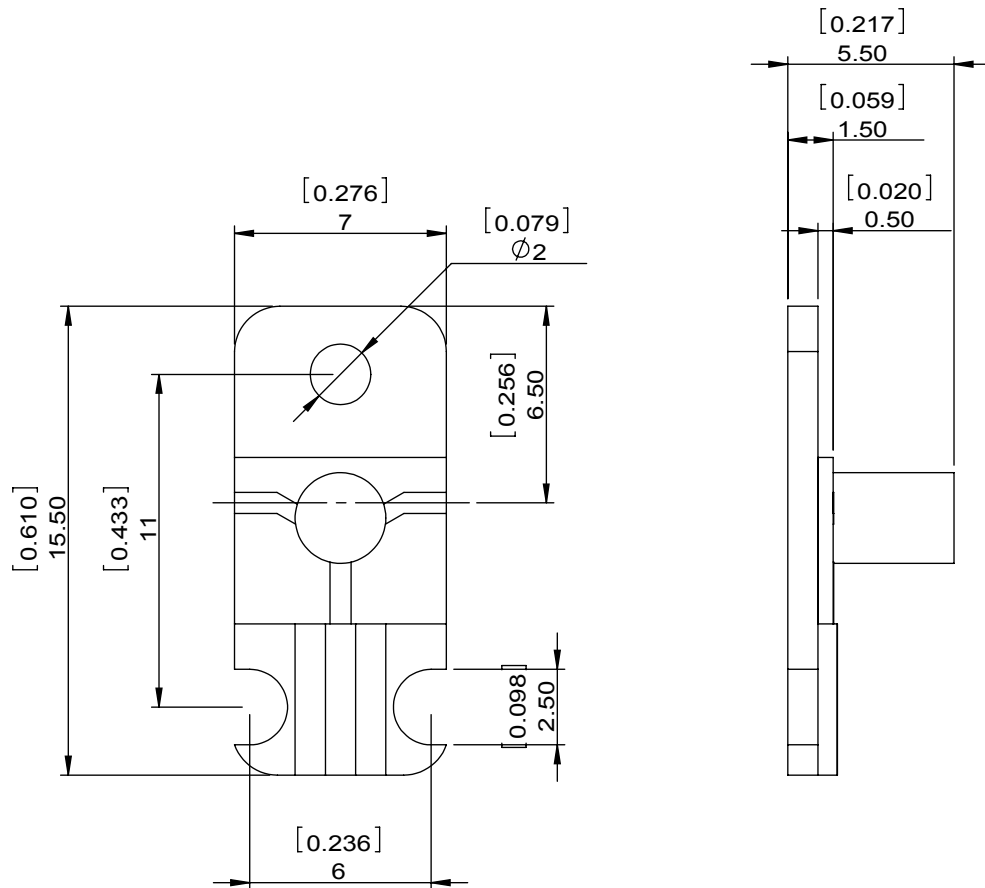


1		2		3		4		5		6	
Document No. QR4-700-T-003								REV. DESCRIPTION REVISOR DATE APPROVED			
REV. A/0								0		LH.Mao 11.22.2016 David	



SPECIFICATIONS	
Part's Number	4CMS14-2
Frequency(GHz)	14.00-14.50
Direction	CW
Insertion Loss(dB)MAX	0.6
Insertion Loss Ripple	
Isolation(dB)MIN	18
Return Loss(dB)MIN	17.69
3rd IMD(dBc)MAX	
Power FWD/REV/PK(Watt)	5/5/-
Operating Temperature( $^{\circ}$ C)	-30~+70
Storage Temperature( $^{\circ}$ C)	
2nd/3rd Harmonic(dBc)	
Termination/Attenuator(Watt/dB)	5
Tab(W $\times$ LG $\times$ THK)(mm[Inch])	
Additional Notes	GWB

<b>DORADO Millimeter Corp</b>				
<b>MATERIAL:</b>		<b>DWG NO:</b> 4CMS14-2		
<b>SURFACE TREATMENT:</b>		DWG BY: LH.Mao	11.22.2016	SCALE
<b>DESCRIPTION:</b> MICROSTRIP CIRCULATOR		CHK'D BY:		4:1
		APPV'D BY:		
		Unit: mm[inch]	Tolerance: Liner: $\pm 0.25$ Anguar: $\pm 0.5^{\circ}$	 A4
		The First:		



This document is the property of DORADO Millimeter Corp. It cannot be copied, duplicated, used for manufacturing purposes or communicated to third party as a whole or partly, without the written consent of DORADO Millimeter Corp.