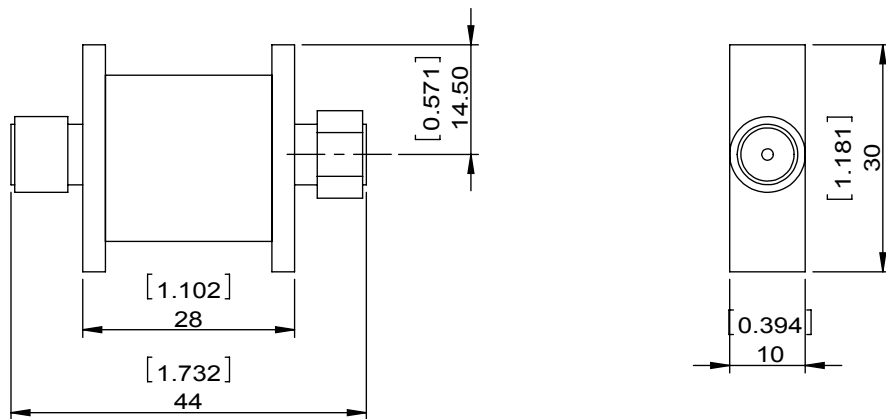


1		2		3		4		5		6	
Document No.	QR4-700-T-003	REV.	A/0	REV.	DESCRIPTION	REVISOR	DATE	APPROVED			
REV.	A/0	0		LH.Mao		02.24.2017		David			



SPECIFICATIONS	
Part's Number	4ICP12-1
Frequency(GHz)	6.0~18.0
Direction	CW
Insertion Loss(dB) TYP/MAX	1.6/1.7
Insertion Loss Ripple	
Isolation(dB) TYP/MIN	17/16
Return Loss(dB) TYP/MIN	13.98/13.98
3rd IMD(dBc)MAX	
Power FWD/REV/PK(Watt)	1/-/-
Operating Temperature(°C)	25/-10 to +60
Storage Temperature(°C)	
2nd/3rd Harmonic(dBc)	
Termination/Attenuator(Watt/dB)	
Tab(W×LG×THK)(mm[Inch])	
Additional Notes	GWB

<b>DORADO Millimeter Wave</b>				
<b>MATERIAL:</b>		<b>DWG NO:</b> 4ICP12-1		
<b>SURFACE TREATMENT:</b>		DWG BY: LH.Mao	02.24.2017	SCALE
<b>DESCRIPTION:</b> <b>BROADBAND ISOLATOR</b>		CHK'D BY:		1:1
		APPV'D BY:		A4
		Unit: mm[inch]	Tolerance: Liner: ±0.25 Anguar: ±0.5°	
		The First:		



This document is the property of DORADO Millimeter Corp. It cannot be copied, duplicated, used for manufacturing purposes or communicated to third party as a whole or partly, without the written consent of DORADO Millimeter Corp.