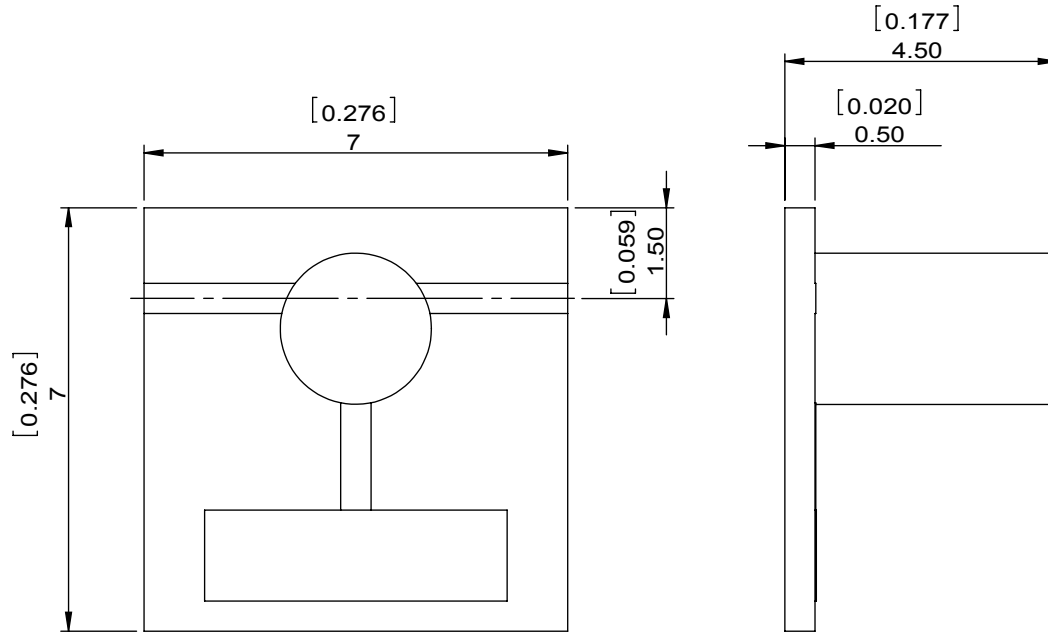


1		2		3		4		5		6	
Document No.		QR4-700-T-003		REV.		DESCRIPTION		REVISOR		DATE	
REV.		A/0		0				LH.Mao		11.16.2016	
										APPROVED	
										David	



SPECIFICATIONS	
Part's Number	4IMM14-1
Frequency(GHz)	14.00-14.50
Direction	CW
Insertion Loss(dB)MAX	0.6
Insertion Loss Ripple	
Isolation(dB)MIN	20
Return Loss(dB)MIN	17.69
3rd IMD(dBc)MAX	
Power FWD/REV/PK(Watt)	5/0.25/-
Operating Temperature(°C)	-30~+70
Storage Temperature(°C)	
2nd/3rd Harmonic(dBc)	
Termination/Attenuator(Watt/dB)	0.25
Tab(W×LG×THK)(mm[Inch])	
Additional Notes	GWB

DORADO INTERNATIONAL **DORADO Millimeter Corp**

MATERIAL:	DWG NO: 4IMM14-1			
SURFACE TREATMENT:	DWG BY:	LH.Mao	11.16.2016	SCALE
	CHK'D BY:			8:1
DESCRIPTION: MICROSTRIP ISOLATOR	APPV'D BY:			A4
	Unit: mm[inch]	Tolerance: Liner: ±0.25 Anguar: ±0.5°	The First:	



This document is the property of DORADO Millimeter Corp. It cannot be copied, duplicated, used for manufacturing purposes or communicated to third party as a whole or partly, without the written consent of DORADO Millimeter Corp.