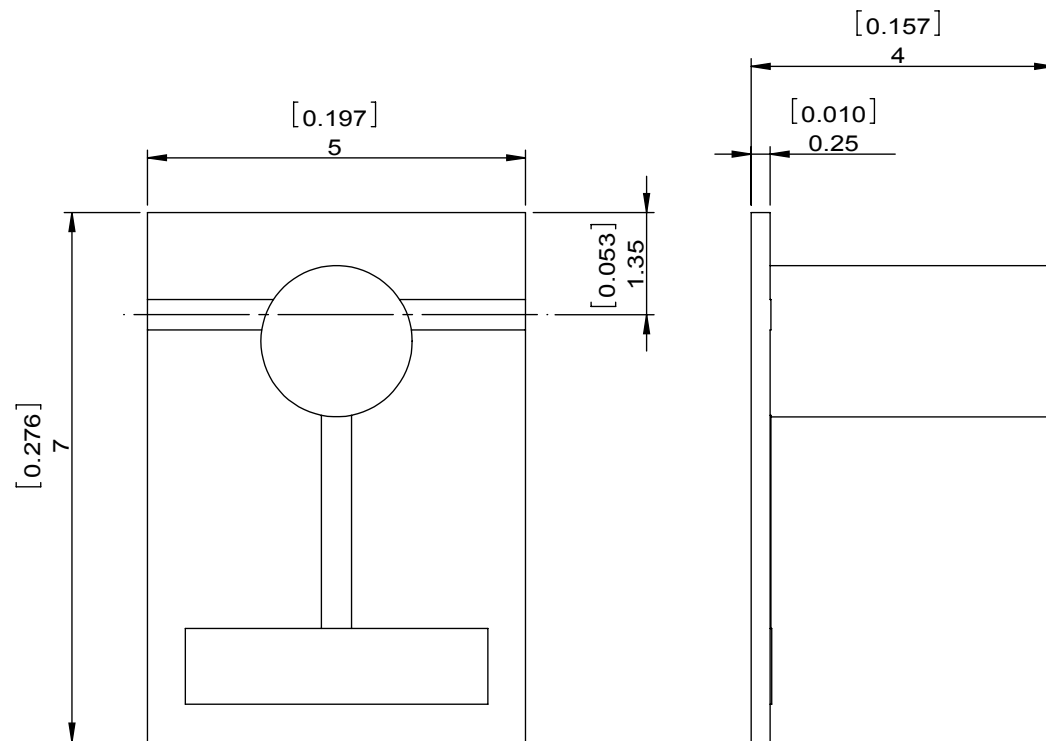


1		2		3		4		5		6	
Document No. QR4-700-T-003				REV. 0		DESCRIPTION		REVISOR LH.Mao		DATE 11.16.2016	
REV. A/0										APPROVED David	



SPECIFICATIONS	
Part's Number	4IMM25-2
Frequency(GHz)	24.50-26.50
Direction	CW
Insertion Loss(dB)MAX	0.9
Insertion Loss Ripple	
Isolation(dB)MIN	20
Return Loss(dB)MIN	17.69
3rd IMD(dBc)MAX	
Power FWD/REV/PK(Watt)	2/1/-
Operating Temperature(°C)	-30~+70
Storage Temperature(°C)	
2nd/3rd Harmonic(dBc)	
Termination/Attenuator(Watt/dB)	1
Tab(W×LG×THK)(mm[Inch])	
Additional Notes	GWB

<b>DORADO Millimeter Corp</b>				
<b>MATERIAL:</b>		<b>DWG NO:</b> 4IMM25-2		
<b>SURFACE TREATMENT:</b>		DWG BY: LH.Mao	11.16.2016	SCALE
<b>DESCRIPTION:</b> MICROSTRIP ISOLATOR		CHK'D BY:		10:1
		APPV'D BY:		A4
		Unit: mm[inch]	Tolerance: Liner: ±0.25 Anguar: ±0.5°	
		The First:		



This document is the property of DORADO Millimeter Corp. It cannot be copied, duplicated, used for manufacturing purposes or communicated to third party as a whole or partly, without the written consent of DORADO Millimeter Corp.