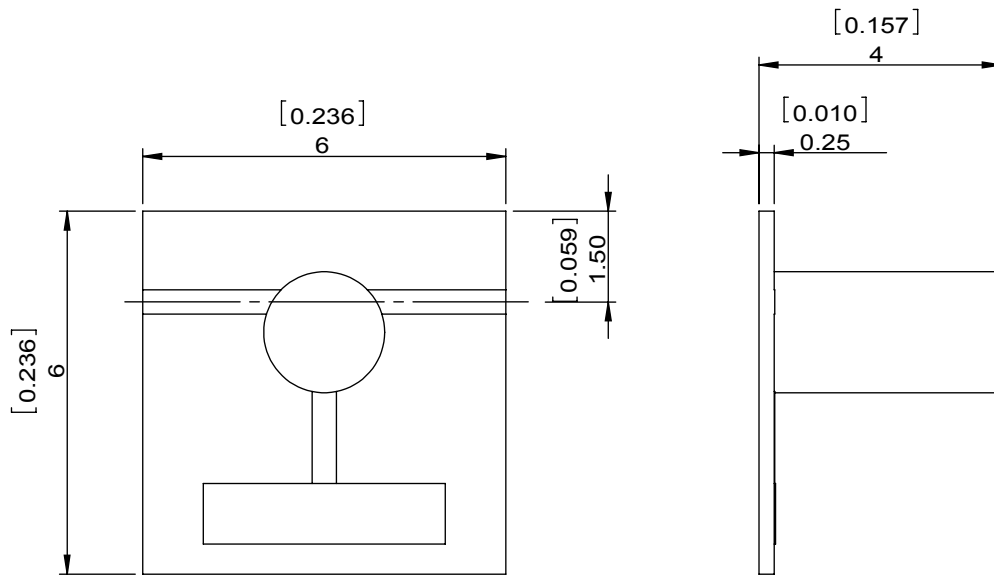


1		2		3		4		5		6	
Document No.	QR4-700-T-003	REV.	A/0	REV.	DESCRIPTION	REVISOR	DATE	APPROVED			
		0				LH.Mao	11.16.2016	David			



SPECIFICATIONS	
Part's Number	4IMM25-3
Frequency(GHz)	24.00-26.00
Direction	CW
Insertion Loss(dB)MAX	0.9
Insertion Loss Ripple	
Isolation(dB)MIN	20
Return Loss(dB)MIN	17.69
3rd IMD(dBc)MAX	
Power FWD/REV/PK(Watt)	2/1/-
Operating Temperature(°C)	-30~+70
Storage Temperature(°C)	
2nd/3rd Harmonic(dBc)	
Termination/Attenuator(Watt/dB)	1
Tab(W×LG×THK)(mm[Inch])	
Additional Notes	GWB

<b>DORADO Millimeter Corp</b>				
<b>MATERIAL:</b>		<b>DWG NO:</b>		
		4IMM25-3		
<b>SURFACE TREATMENT:</b>		DWG BY:	LH.Mao	11.16.2016
		CHK'D BY:		SCALE
<b>DESCRIPTION:</b>		APPV'D BY:		8:1
MICROSTRIP ISOLATOR		Unit:	Tolerance:	The First:
		mm[inch]	Liner: ±0.25 Anguar: ±0.5°	
				A4



This document is the property of DORADO Millimeter Corp. It cannot be copied, duplicated, used for manufacturing purposes or communicated to third party as a whole or partly, without the written consent of DORADO Millimeter Corp.