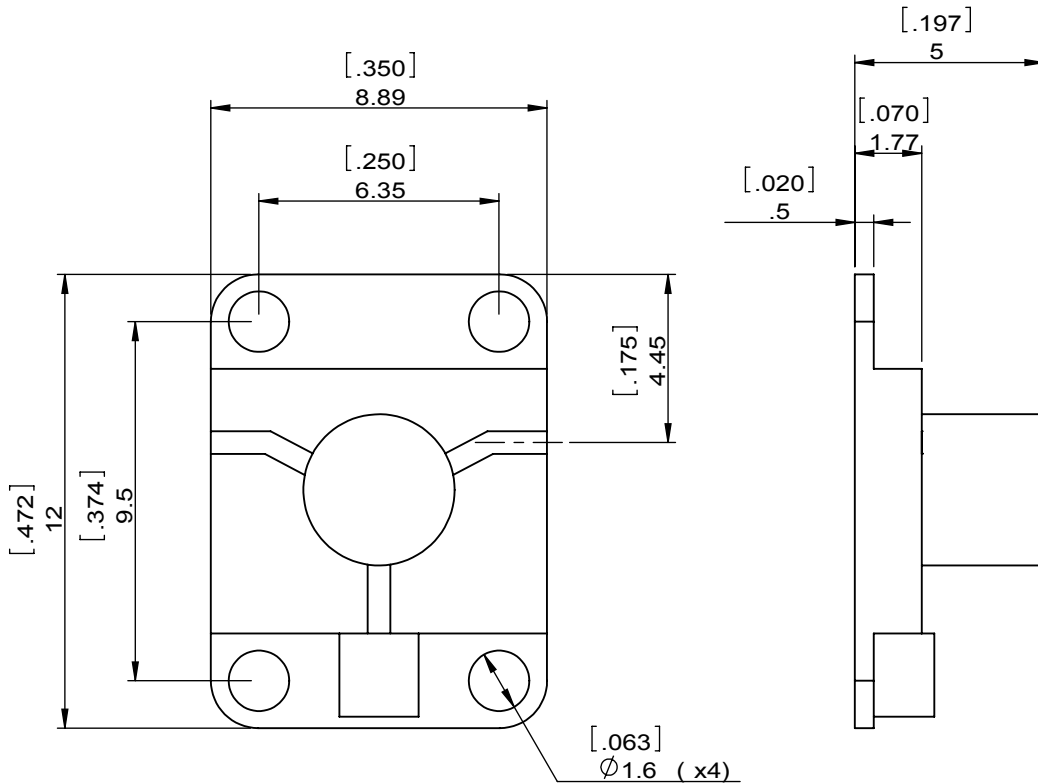


1		2		3		4		5		6	
Document No. QR4-700-T-003						REV. 0		DESCRIPTION		REVISOR ZC.Wu	
REV. A/0										DATE 11.08.2016	
										APPROVED David	



SPECIFICATIONS	
Part's Number	4IMS18-2
Frequency(GHz)	17.20-18.20
Direction	CW
Insertion Loss(dB)MAX	0.8
Isolation(dB)MIN	20
Return Loss(dB)MIN	16.54
3rd IMD(dBc)MAX	
Power FWD/REV/PK(Watt)	2/1/-
Operating Temperature(°C)	-30~+70
Storage Temperature(°C)	
2nd/3rd Harmonic(dBc)	
Termination/Attenuator(Watt/dB)	1
Tab(W×LG×THK)(mm[Inch])	
Additional Notes	GWB

DORADO INTERNATIONAL **DORADO Millimeter Corp**

MATERIAL:	DWG NO: 4IMS18-2			
SURFACE TREATMENT:	DWG BY: ZC.Wu	11.08.2016	SCALE	
DESCRIPTION: MICROSTRIP ISOLATOR	CHK'D BY:		5:1	
	APPV'D BY:		A4	
	Unit: mm[inch]	Tolerance: Liner: ±0.25 Anguar: ±0.5°	The First:	



This document is the property of DORADO Millimeter Corp. It cannot be copied, duplicated, used for manufacturing purposes or communicated to third party as a whole or partly, without the written consent of DORADO Millimeter Corp.