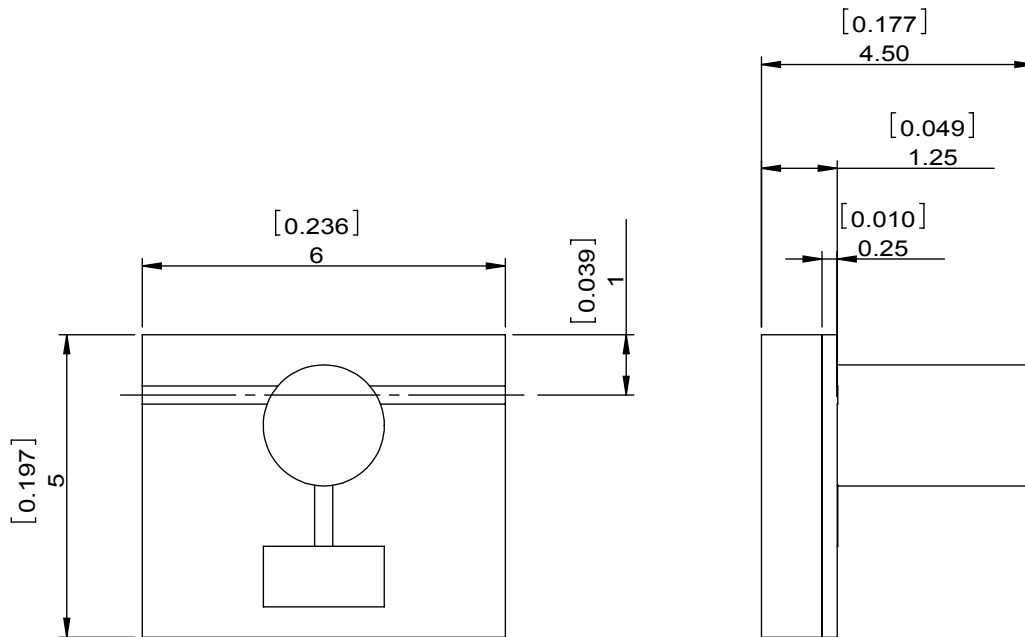


1		2		3		4		5		6	
Document No.	QR4-700-T-003	REV.	A/0	REV.	DESCRIPTION	REVISOR	DATE	APPROVED			
		0				LH.Mao	11.10.2016	David			



SPECIFICATIONS	
Part's Number	4IMS33-3Y
Frequency(GHz)	32.00-34.00
Direction	CW
Insertion Loss(dB)MAX	0.9
Insertion Loss Ripple	
Isolation(dB)MIN	20
Return Loss(dB)MIN	16.54
3rd IMD(dBc)MAX	
Power FWD/REV/PK(Watt)	2/1/-
Operating Temperature(°C)	-30~+70
Storage Temperature(°C)	
2nd/3rd Harmonic(dBc)	
Termination/Attenuator(Watt/dB)	1
Tab(W×LG×THK)(mm[Inch])	
Additional Notes	GWB

DORADO Millimeter Corp				
MATERIAL:	DWG NO: 4IMS33-3Y			
	SURFACE TREATMENT:		DWG BY: LH.Mao	11.10.2016
DESCRIPTION: MICROSTRIP ISOLATOR	CHK'D BY:		SCALE: 8:1	
	APPV'D BY:		Unit: mm[inch]	
	Tolerance: Liner: ±0.25 Anguar: ±0.5°		The First:	
				A4



This document is the property of DORADO Millimeter Corp. It cannot be copied, duplicated, used for manufacturing purposes or communicated to third party as a whole or partly, without the written consent of DORADO Millimeter Corp.