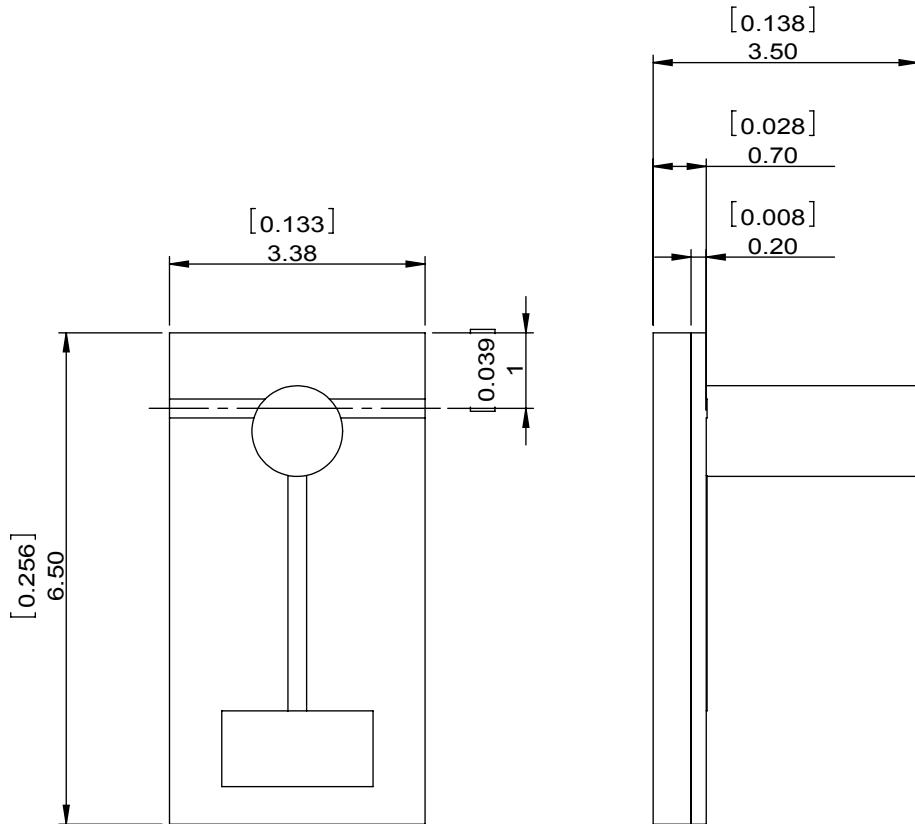


|              |               |      |     |        |             |            |       |          |  |   |  |
|--------------|---------------|------|-----|--------|-------------|------------|-------|----------|--|---|--|
| 1            |               | 2    |     | 3      |             | 4          |       | 5        |  | 6 |  |
| Document No. | QR4-700-T-003 | REV. | A/0 | REV.   | DESCRIPTION | REVISOR    | DATE  | APPROVED |  |   |  |
|              |               | 0    |     | LH.Mao |             | 11.10.2016 | David |          |  |   |  |



| SPECIFICATIONS                  |             |
|---------------------------------|-------------|
| Part's Number                   | 4IMS34-3    |
| Frequency(GHz)                  | 33.00-35.00 |
| Direction                       | CW          |
| Insertion Loss(dB)MAX           | 0.9         |
| Insertion Loss Ripple           |             |
| Isolation(dB)MIN                | 20          |
| Return Loss(dB)MIN              | 16.54       |
| 3rd IMD(dBc)MAX                 |             |
| Power FWD/REV/PK(Watt)          | 2/1/-       |
| Operating Temperature(°C)       | -30~+70     |
| Storage Temperature(°C)         |             |
| 2nd/3rd Harmonic(dBc)           |             |
| Termination/Attenuator(Watt/dB) | 1           |
| Tab(W×LG×THK)(mm[Inch])         |             |
| Additional Notes                | GWB         |

|   |  |                            |   |                |
|---|--|----------------------------|---|----------------|
| <b>DORADO Millimeter Corp</b>                 |  |                            |   |                |
| <b>MATERIAL:</b>                              |  | <b>DWG NO:</b><br>4IMS34-3 |   |                |
| <b>SURFACE TREATMENT:</b>                     |  | DWG BY:                    | LH.Mao                                      | 11.10.2016     |
| <b>DESCRIPTION:</b><br>MICROSTRIP<br>ISOLATOR |  | CHK'D BY:                  |   | SCALE<br>10:1  |
|   |  | APPV'D BY:                 |   |                |
|   |  | Unit:<br>mm[inch]          | Tolerance:<br>Liner: ±0.25<br>Anguar: ±0.5° | The First:<br> |
|   |  |                            |   | A4             |



This document is the property of DORADO Millimeter Corp. It cannot be copied, duplicated, used for manufacturing purposes or communicated to third party as a whole or partly, without the written consent of DORADO Millimeter Corp.