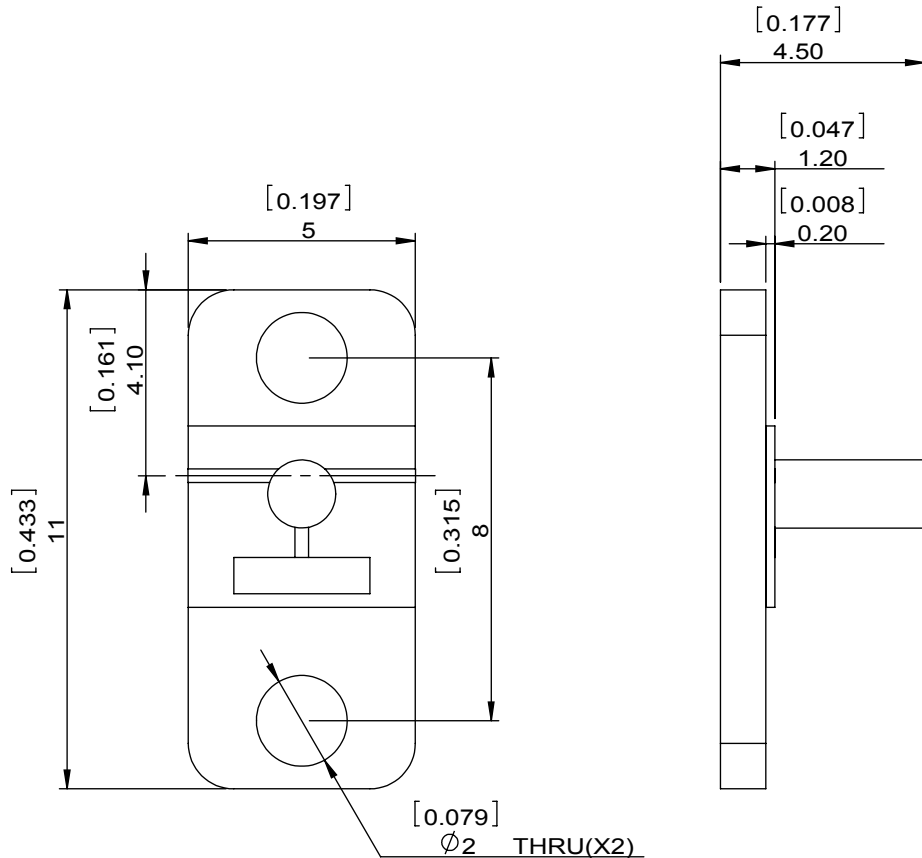


1		2		3		4		5		6	
Document No. QR4-700-T-003		REV.		REV.		DESCRIPTION		REVISOR		DATE	
A/0		A/0		0				LH.Mao		11.10.2016	
										APPROVED	
										David	



SPECIFICATIONS	
Part's Number	4IMS42-5
Frequency(GHz)	41.00-43.00
Direction	CW
Insertion Loss(dB)MAX	1
Insertion Loss Ripple	
Isolation(dB)MIN	19
Return Loss(dB)MIN	16.54
3rd IMD(dBc)MAX	
Power FWD/REV/PK(Watt)	1/0.5/-
Operating Temperature(°C)	-10~+50
Storage Temperature(°C)	
2nd/3rd Harmonic(dBc)	
Termination/Attenuator(Watt/dB)	0.5
Tab(W×LG×THK)(mm[Inch])	
Additional Notes	GWB

**DORADO** INTERNATIONAL **DORADO Millimeter Corp**

<b>MATERIAL:</b>	<b>DWG NO:</b> 4IMS42-5			
<b>SURFACE TREATMENT:</b>	DWG BY:	LH.Mao	11.10.2016	SCALE
<b>DESCRIPTION:</b> MICROSTRIP ISOLATOR	CHK'D BY:			6:1
	APPV'D BY:			A4
	Unit: mm[inch]	Tolerance: Liner: ±0.25 Anguar: ±0.5°	The First:	



This document is the property of DORADO Millimeter Corp. It cannot be copied, duplicated, used for manufacturing purposes or communicated to third party as a whole or partly, without the written consent of DORADO Millimeter Corp.