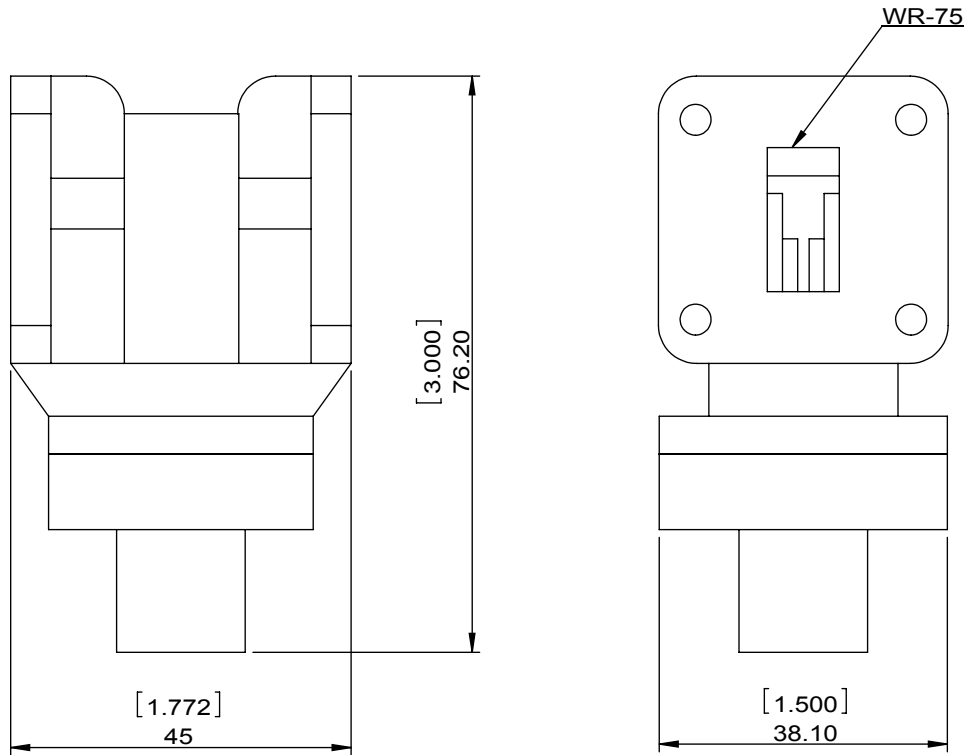


1		2		3		4		5		6	
Document No.	QR4-700-T-003	REV.	A/0	REV.	DESCRIPTION	REVISOR	DATE	APPROVED			
		0				LH.Mao	03.07.2017	David			



SPECIFICATIONS	
Part's Number	4IWY12-3
Frequency(GHz)	10.00~15.00
Direction	CW
Insertion Loss(dB)MAX	0.3/0.5
Insertion Loss Ripple	
Isolation(dB)MIN	20/18
Return Loss(dB)MIN	20.08/17.69
3rd IMD(dBc)MAX	
Power FWD/REV/PK(Watt)	1/-/-
Operating Temperature(°C)	-30~+70
Storage Temperature(°C)	
2nd/3rd Harmonic(dBc)	
Termination/Attenuator(Watt/dB)	
Tab(W×LG×THK)(mm[Inch])	
Additional Notes	GWB

<b>DORADO Millimeter Wave</b>				
<b>MATERIAL:</b>		<b>DWG NO:</b> 4IWY12-3		
<b>SURFACE TREATMENT:</b>		DWG BY:	LH.Mao	03.07.2017
<b>DESCRIPTION:</b> Waveguide Isolator		CHK'D BY:		SCALE
		APPV'D BY:		1:1
		Unit: mm[inch]	Tolerance: Liner: ±0.25 Anguar: ±0.5°	The First: 
				A4



This document is the property of DORADO Millimeter Corp. It cannot be copied, duplicated, used for manufacturing purposes or communicated to third party as a whole or partly, without the written consent of DORADO Millimeter Corp.