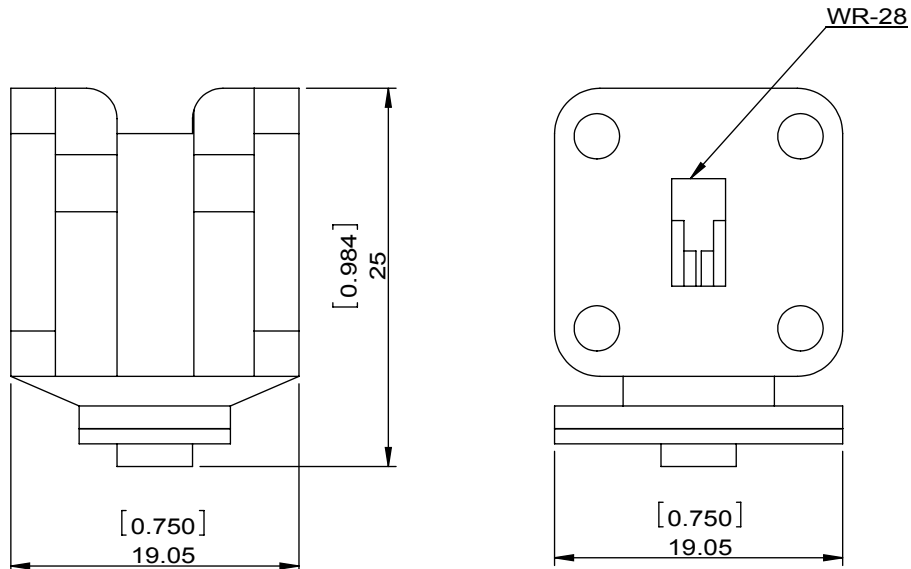


1		2		3		4		5		6	
Document No.	QR4-700-T-003	REV.	A/0	REV.	DESCRIPTION	REVISOR	DATE	APPROVED			
		0				LH.Mao	03.07.2017	David			



SPECIFICATIONS	
Part's Number	4IWY33-1
Frequency(GHz)	26.50~40.00
Direction	CW
Insertion Loss(dB)MAX	0.5
Insertion Loss Ripple	
Isolation(dB)MIN	16
Return Loss(dB)MIN	15.56
3rd IMD(dBc)MAX	
Power FWD/REV/PK(Watt)	1/-/-
Operating Temperature(°C)	-30~+70
Storage Temperature(°C)	
2nd/3rd Harmonic(dBc)	
Termination/Attenuator(Watt/dB)	
Tab(W×LG×THK)(mm[Inch])	
Additional Notes	GWB

DORADO INTERNATIONAL **DORADO Millimeter Wave**

MATERIAL:	DWG NO: 4IWY33-1			
SURFACE TREATMENT:	DWG BY:	LH.Mao	03.07.2017	SCALE
	CHK'D BY:			
DESCRIPTION: Waveguide Isolator	APP'V'D BY:			2:1
	Unit:	Tolerance:	The First:	A4
	mm[inch]	Liner: ±0.25 Anguar: ±0.5°		



This document is the property of DORADO Millimeter Corp. It cannot be copied, duplicated, used for manufacturing purposes or communicated to third party as a whole or partly, without the written consent of DORADO Millimeter Corp.