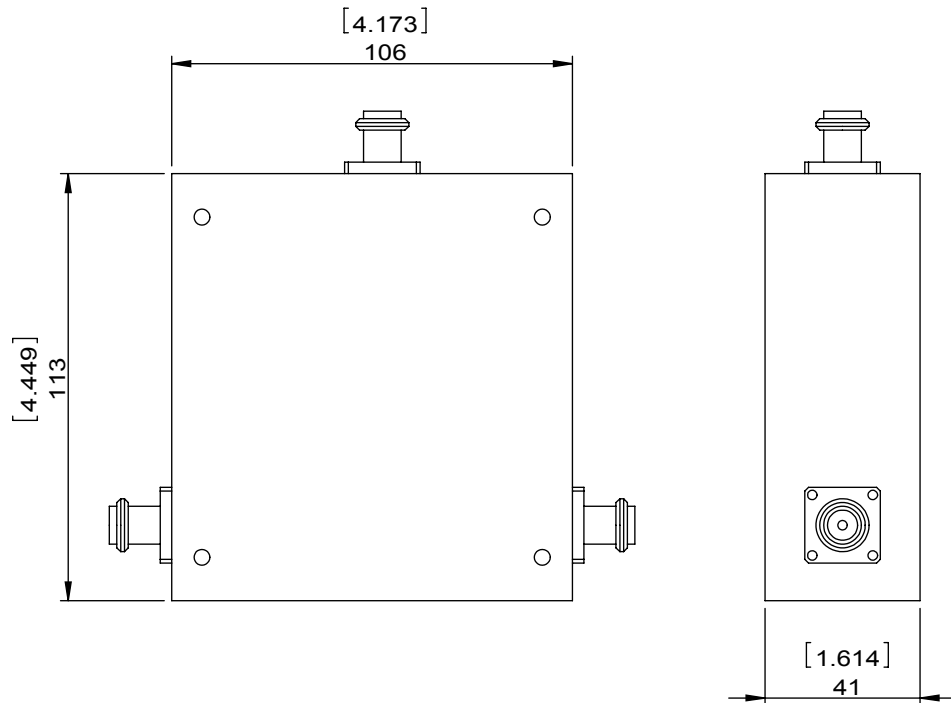


1		2		3		4		5		6	
Document No.	QR4-700-T-003	REV.	A/0	REV.	DESCRIPTION	REVISOR	DATE	APPROVED			
		0				JUNMA	04.05.2017	David			



SPECIFICATIONS	
Part's Number	1CCM27-2
Frequency(GHz)	0.0265~0.0275
Direction	CW
Insertion Loss(dB) TYP/MAX	1.0
Insertion Loss Ripple	
Isolation(dB) TYP/MIN	15
Return Loss(dB) TYP/MIN	14.72
3rd IMD(dBc)MAX	
Power FWD/REV/PK(Watt)	50/50/800
Operating Temperature(°C)	+15~+25
Storage Temperature(°C)	
2nd/3rd Harmonic(dBc)	
Termination/Attenuator(Watt/dB)	50
Tab(W×LG×THK)(mm[Inch])	
Additional Notes	GWB

		DORADO Millimeter Wave			
MATERIAL:	DWG NO: 1CCM27-2				
SURFACE TREATMENT:	DWG BY:	JUNMA	04.05.2017	SCALE	1:2
	CHK'D BY:				
DESCRIPTION: BROADBAND CIRCULATOR	APPV'D BY:				 A4
	Unit:	Tolerance:		The First:	
	mm[inch]	Liner: ±0.25 Anguar: ±0.5°			



This document is the property of DORADO Millimeter Wave. It cannot be copied, duplicated, used for manufacturing purposes or communicated to third party as a whole or partly, without the written consent of DORADO Millimeter Wave.