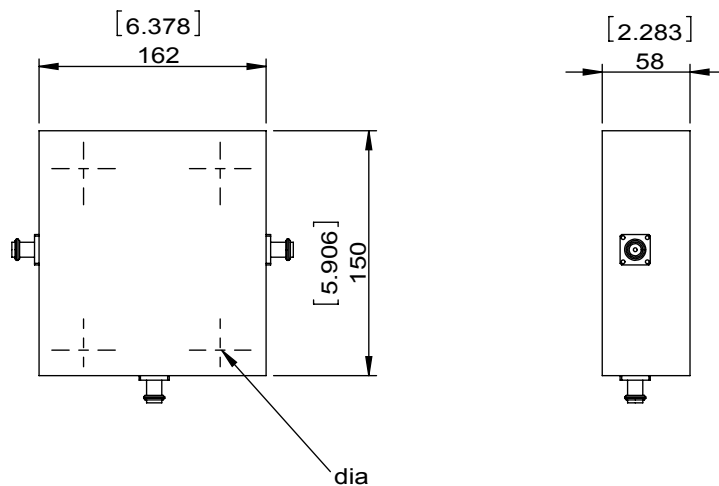


1		2		3		4		5		6	
Document No.	QR4-700-T-003					REV.	DESCRIPTION	REVISOR	DATE	APPROVED	
REV.	A/0					0		JUNMA	05.11.2017	David	

SPECIFICATIONS	
Part's Number	2CCH45-1
Frequency(GHz)	0.40~0.50
Direction	CW
Insertion Loss(dB)MAX	0.4
Insertion Loss Ripple	
Isolation(dB)MIN	20
Return Loss(dB)MIN	19.08
3rd IMD(dBc)MAX	
Power FWD/REV/PK(Watt)	1000/1000/1000
Operating Temperature(°C)	+5~+45
Storage Temperature(°C)	
2nd/3rd Harmonic(dBc)	
Termination/Attenuator(Watt/dB)	1000
Tab(W×LG×THK)(mm[Inch])	
Additional Notes	GWB



DORADO INTERNATIONAL **DORADO Millimeter Wave**

MATERIAL:	DWG NO: 2CCH45-1			
SURFACE TREATMENT:	DWG BY:	JUNMA	05.11.2017	SCALE
	CHK'D BY:			
DESCRIPTION: HIGH POWER CIRCULATOR	APP'V'D BY:			1:3
	Unit: mm[inch]	Tolerance: Liner: ±0.25 Anguar: ±0.5°	The First:	A4



This document is the property of DORADO Millimeter Wave. It cannot be copied, duplicated, used for manufacturing purposes or communicated to third party as a whole or partly, without the written consent of DORADO Millimeter Wave.