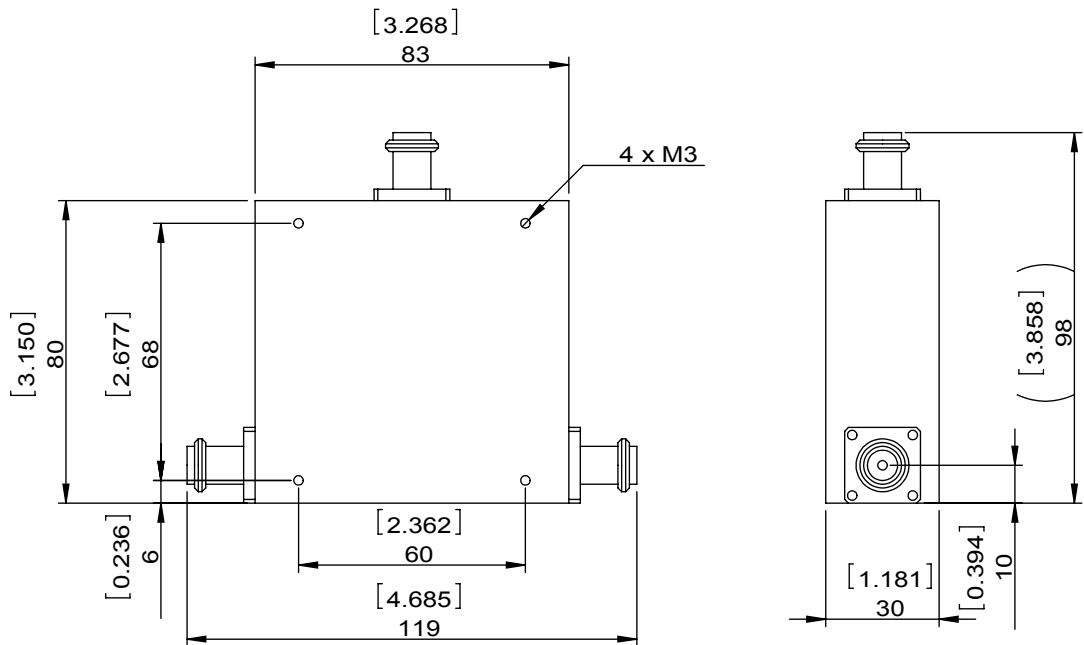


1		2		3		4		5		6	
Document No.	QR4-700-T-003	REV.	A/0	REV.	DESCRIPTION	REVISOR	DATE	APPROVED			
		0		JUNMA	04.05.2017	David					



SPECIFICATIONS	
Part's Number	2CCM12-2
Frequency(GHz)	0.103~0.153
Direction	CW
Insertion Loss(dB) TYP/MAX	0.8/1.0
Insertion Loss Ripple	
Isolation(dB) TYP/MIN	17/15
Return Loss(dB) TYP/MIN	15.56/13.98
3rd IMD(dBc)MAX	
Power FWD/REV/PK(Watt)	50/50/800
Operating Temperature(°C)	25/-10~+50
Storage Temperature(°C)	
2nd/3rd Harmonic(dBc)	
Termination/Attenuator(Watt/dB)	50
Tab(W×LG×THK)(mm[Inch])	
Additional Notes	GWB

		DORADO Millimeter Wave			
MATERIAL:		DWG NO: 2CCM12-2			
SURFACE TREATMENT:		DWG BY:	JUNMA	04.05.2017	SCALE
DESCRIPTION: BROADBAND CIRCULATOR		CHK'D BY:			1:2
		APPV'D BY:			
		Unit: mm[inch]	Tolerance: Liner: ±0.25 Anguar: ±0.5°	The First:	A4



This document is the property of DORADO Millimeter Wave. It cannot be copied, duplicated, used for manufacturing purposes or communicated to third party as a whole or partly, without the written consent of DORADO Millimeter Wave.