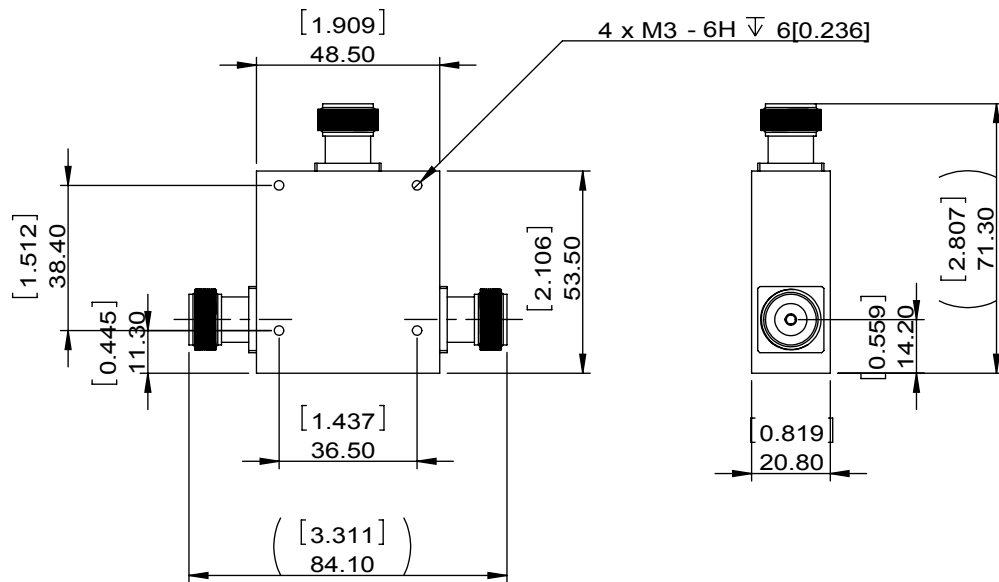


1		2		3		4		5		6	
Document No.	QR4-700-T-003	REV.	A/0	REV.	DESCRIPTION	REVISOR	DATE	APPROVED			
		0		LH.Mao	02.22.2017	David					



SPECIFICATIONS	
Part's Number	2CCS83-1
Frequency(GHz)	0.65~1.00
Direction	CW
Insertion Loss(dB) TYP/MAX	0.7/1.0
Insertion Loss Ripple	
Isolation(dB) TYP/MIN	14/13
Return Loss(dB) TYP/MIN	13.32/12.74
3rd IMD(dBc)MAX	
Power FWD/REV/PK(Watt)	75/75/-
Operating Temperature(°C)	25/-60 to +85
Storage Temperature(°C)	
2nd/3rd Harmonic(dBc)	
Termination/Attenuator(Watt/dB)	75
Tab(W×LG×THK)(mm[Inch])	
Additional Notes	GWB

DORADO Millimeter Wave				
MATERIAL:		DWG NO: 2CCS83-1		
SURFACE TREATMENT:		DWG BY:	LH.Mao	02.22.2017
DESCRIPTION: BROADBAND CIRCULATOR		CHK'D BY:		SCALE
		APPV'D BY:		1:2
		Unit: mm[inch]	Tolerance: Liner: ±0.25 Anguar: ±0.5°	The First:
				A4



This document is the property of DORADO Millimeter Corp. It cannot be copied, duplicated, used for manufacturing purposes or communicated to third party as a whole or partly, without the written consent of DORADO Millimeter Corp.