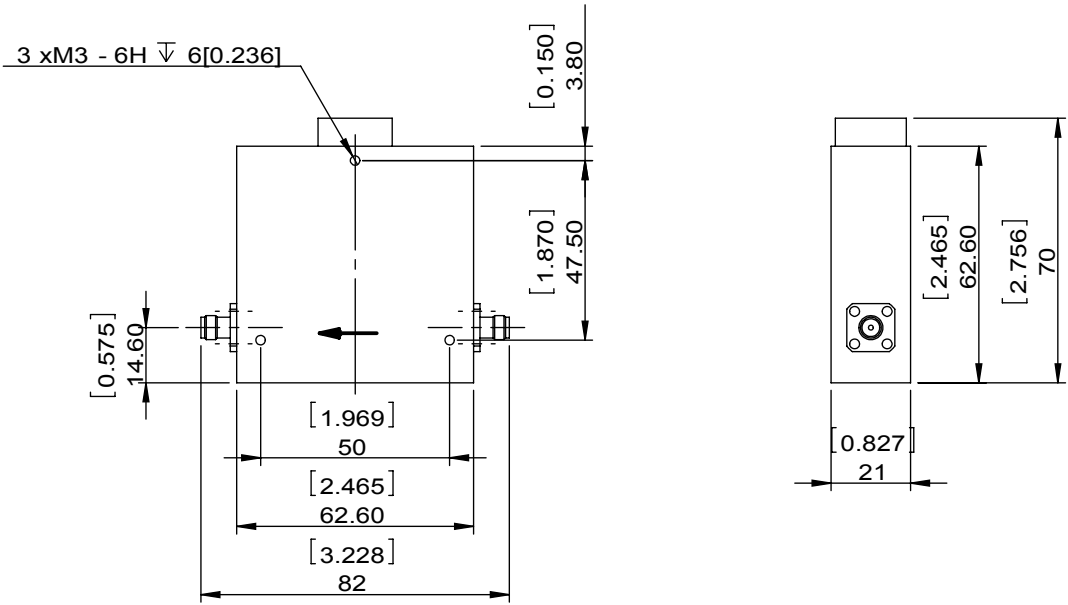


1		2		3		4		5		6	
Document No.	QR4-700-T-003	REV.	A/0	REV.	DESCRIPTION	REVISOR	DATE	APPROVED			
		0				LH.Mao	03.13.2017	David			

SPECIFICATIONS	
Part's Number	3CCB15-6
Frequency(GHz)	1.0~2.0
Direction	CW
Insertion Loss(dB) TYP/MAX	0.4/1.0
Insertion Loss Ripple	
Isolation(dB) TYP/MIN	20/15
Return Loss(dB) TYP/MIN	19.08/13.98
3rd IMD(dBc)MAX	
Power FWD/REV/PK(Watt)	75/75/-
Operating Temperature(°C)	25/+1~+70
Storage Temperature(°C)	
2nd/3rd Harmonic(dBc)	
Termination/Attenuator(Watt/dB)	75
Tab(W×LG×THK)(mm[Inch])	
Additional Notes	GWB



**DORADO INTERNATIONAL** **DORADO Millimeter Wave**

<b>MATERIAL:</b>	<b>DWG NO:</b> 3CCB15-6			
<b>SURFACE TREATMENT:</b>	DWG BY:	LH.Mao	03.13.2017	SCALE
	CHK'D BY:			
<b>DESCRIPTION:</b> <b>BROADBAND CIRCULATOR</b>	APPV'D BY:			1:2
	Unit:	Tolerance:	The First:	A4
	mm[inch]	Liner: ±0.25 Anguar: ±0.5°		



This document is the property of DORADO Millimeter Wave. It cannot be copied, duplicated, used for manufacturing purposes or communicated to third party as a whole or partly, without the written consent of DORADO Millimeter Wave.