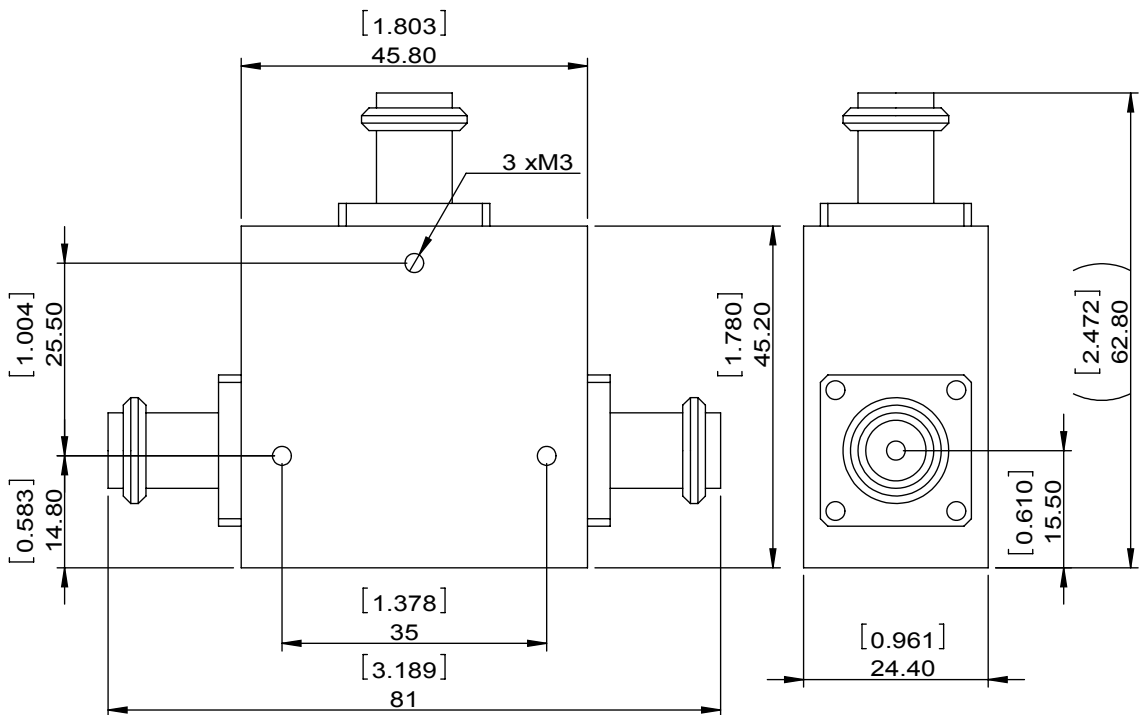


1		2		3		4		5		6	
Document No.	QR4-700-T-003	REV.	A/0	REV.	DESCRIPTION	REVISOR	DATE	APPROVED			
REV.	A/0	0		JUNMA		04.05.2017	David				



SPECIFICATIONS	
Part's Number	3CCM60-1
Frequency(GHz)	4.00~8.00
Direction	CW
Insertion Loss(dB) TYP/MAX	0.4/0.6
Insertion Loss Ripple	
Isolation(dB) TYP/MIN	18/15
Return Loss(dB) TYP/MIN	17.69/14.72
3rd IMD(dBc)MAX	
Power FWD/REV/PK(Watt)	150/150/150
Operating Temperature(°C)	25/-60~+70
Storage Temperature(°C)	
2nd/3rd Harmonic(dBc)	
Termination/Attenuator(Watt/dB)	150
Tab(W×LG×THK)(mm[Inch])	
Additional Notes	GWB

DORADO Millimeter Wave				
MATERIAL:		DWG NO: 3CCM60-1		
SURFACE TREATMENT:		DWG BY: JUNMA	04.05.2017	SCALE
DESCRIPTION: BROADBAND CIRCULATOR		CHK'D BY:		1:1
		APPV'D BY:		
Unit: mm[inch]		Tolerance: Liner: ±0.25 Anguar: ±0.5°	The First:	
				A4



This document is the property of DORADO Millimeter Wave. It cannot be copied, duplicated, used for manufacturing purposes or communicated to third party as a whole or partly, without the written consent of DORADO Millimeter Wave.