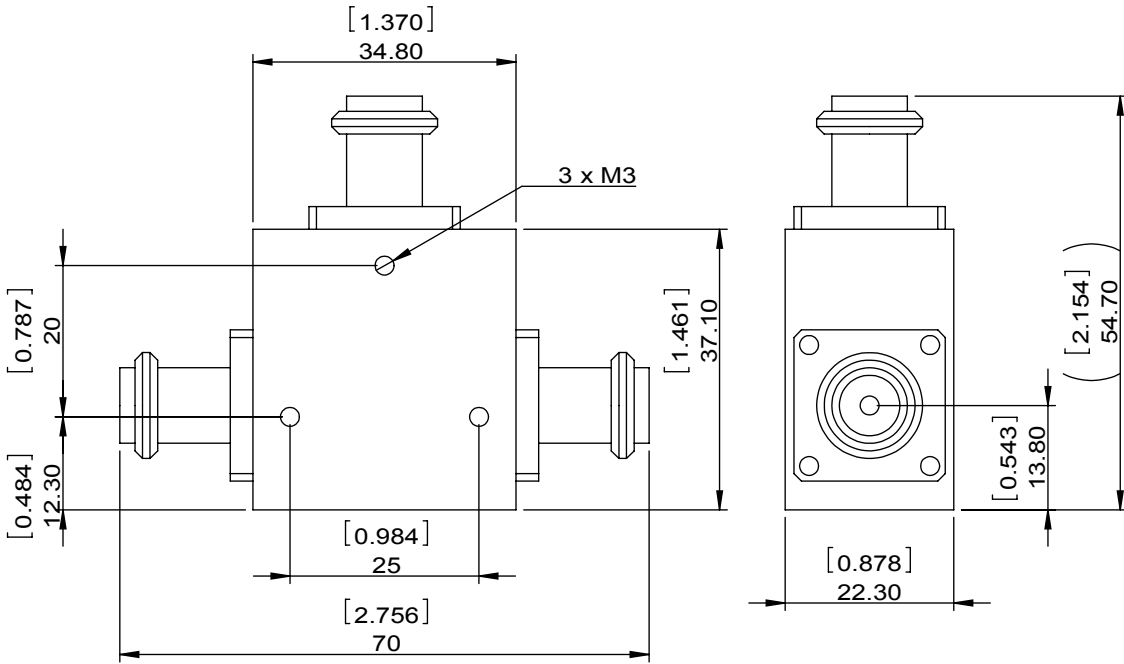


1		2		3		4		5		6	
Document No.	QR4-700-T-003	REV.	A/0	REV.	DESCRIPTION	REVISOR	DATE	APPROVED			
		0		JUNMA	04.05.2017	David					

SPECIFICATIONS	
Part's Number	3CCM90-1
Frequency(GHz)	6.00~12.00
Direction	CW
Insertion Loss(dB) TYP/MAX	0.5/0.8
Insertion Loss Ripple	
Isolation(dB) TYP/MIN	17/15
Return Loss(dB) TYP/MIN	16.54/14.72
3rd IMD(dBc)MAX	
Power FWD/REV/PK(Watt)	150/150/150
Operating Temperature(°C)	25/-60~+70
Storage Temperature(°C)	
2nd/3rd Harmonic(dBc)	
Termination/Attenuator(Watt/dB)	150
Tab(W×LG×THK)(mm[Inch])	
Additional Notes	GWB



DORADO INTERNATIONAL **DORADO Millimeter Wave**

MATERIAL: _____ **DWG NO:** 3CCM90-1

SURFACE TREATMENT: _____

DWG BY:	JUNMA	04.05.2017	SCALE
CHK'D BY:			
APPV'D BY:			1:1

DESCRIPTION: **BROADBAND CIRCULATOR**

Unit: mm[inch]	Tolerance: Liner: ±0.25 Anguar: ±0.5°	The First:	A4
----------------	---------------------------------------	------------	----



This document is the property of DORADO Millimeter Wave. It cannot be copied, duplicated, used for manufacturing purposes or communicated to third party as a whole or partly, without the written consent of DORADO Millimeter Wave.