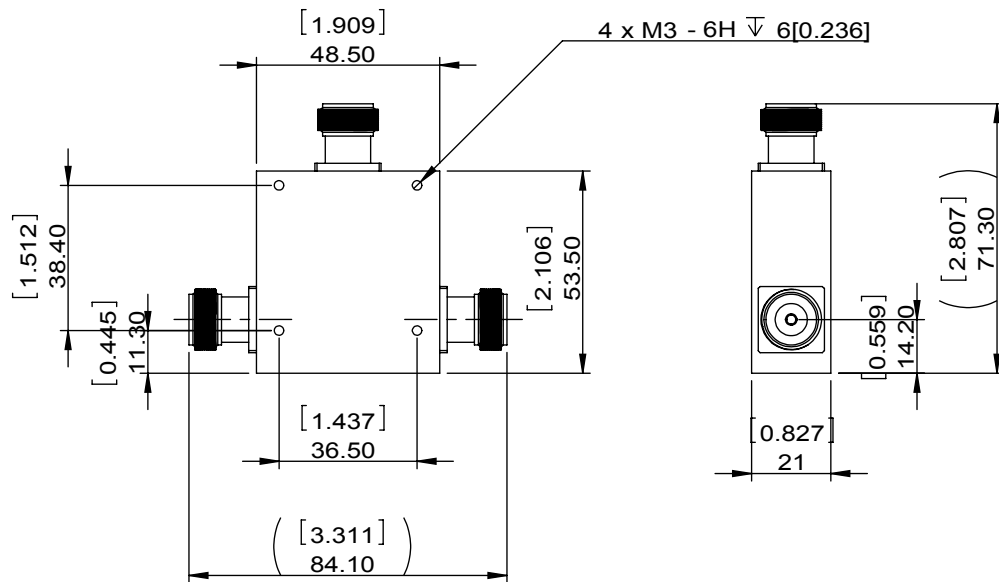


| | | | | | | | | | | | |
|--------------|--|---------------|--|------|--|-------------|--|----------|--|------------|--|
| 1 | | 2 | | 3 | | 4 | | 5 | | 6 | |
| Document No. | | QR4-700-T-003 | | REV. | | DESCRIPTION | | REVISOR | | DATE | |
| REV. | | A/0 | | 0 | | | | LH.Mao | | 02.22.2017 | |
| | | | | | | | | APPROVED | | David | |



| SPECIFICATIONS | |
|---------------------------------|-------------|
| Part's Number | 3CCS10-1 |
| Frequency(GHz) | - |
| Direction | CW |
| Insertion Loss(dB) TYP/MAX | 0.7/0.8 |
| Insertion Loss Ripple | |
| Isolation(dB) TYP/MIN | 15/14 |
| Return Loss(dB) TYP/MIN | 14.72/13.32 |
| 3rd IMD(dBc)MAX | |
| Power FWD/REV/PK(Watt) | 75/75/- |
| Operating Temperature(°C) | 25/-10~+85 |
| Storage Temperature(°C) | |
| 2nd/3rd Harmonic(dBc) | |
| Termination/Attenuator(Watt/dB) | 75 |
| Tab(W×LG×THK)(mm[Inch]) | |
| Additional Notes | GWB |

| | | | | |
|--|--|----------------------------|---|----------------|
| DORADO Millimeter Wave | | | | |
| MATERIAL: | | DWG NO: 3CCS10-1 | | |
| SURFACE TREATMENT: | | DWG BY: | LH.Mao | 02.22.2017 |
| DESCRIPTION: BROADBAND CIRCULATOR | | CHK'D BY: | | SCALE |
| | | APPV'D BY: | | 1:2 |
| | | Unit: mm[inch] | Tolerance: Liner: ±0.25 Anguar: ±0.5° | The First: |
| | | | | A4 |



This document is the property of DORADO Millimeter Corp. It cannot be copied, duplicated, used for manufacturing purposes or communicated to third party as a whole or partly, without the written consent of DORADO Millimeter Corp.