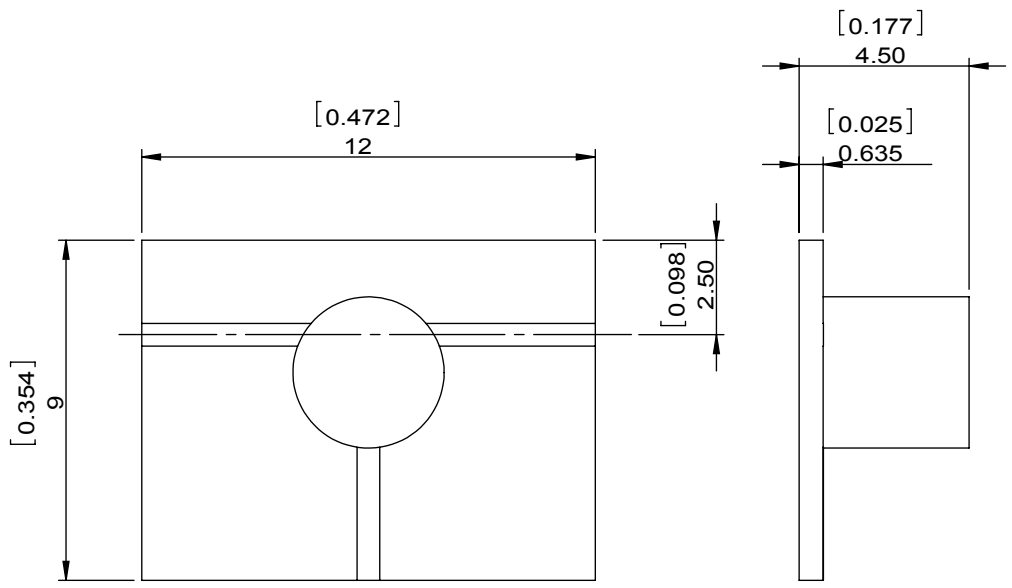


1		2		3		4		5		6	
Document No.	QR4-700-T-003	REV.	A/0	REV.	DESCRIPTION	REVISOR	DATE	APPROVED			
		0				LH.Mao	11.18.2016	David			



SPECIFICATIONS	
Part's Number	3CMM(XX)-6x
Frequency(GHz)	6.3-8.6
Direction	CW
Insertion Loss(dB)MAX	0.6
Insertion Loss Ripple	
Isolation(dB)MIN	20
Return Loss(dB)MIN	20.08
3rd IMD(dBc)MAX	
Power FWD/REV/PK(Watt)	10/10/-
Operating Temperature(°C)	-30~+70
Storage Temperature(°C)	
2nd/3rd Harmonic(dBc)	
Termination/Attenuator(Watt/dB)	10
Tab(W×LG×THK)(mm[Inch])	
Additional Notes	GWB

DORADO INTERNATIONAL **DORADO Millimeter Corp**

MATERIAL: _____ **DWG NO:** 3CMM(XX)-6x

SURFACE TREATMENT: _____

DESCRIPTION: MICROSTRIP CIRCULATOR

DWG BY:	LH.Mao	11.18.2016	SCALE
CHK'D BY:			5:1
APPV'D BY:			
Unit:	mm[inch]	Tolerance:	The First:
		Liner: ±0.25	
		Anguar: ±0.5°	



This document is the property of DORADO Millimeter Corp. It cannot be copied, duplicated, used for manufacturing purposes or communicated to third party as a whole or partly, without the written consent of DORADO Millimeter Corp.