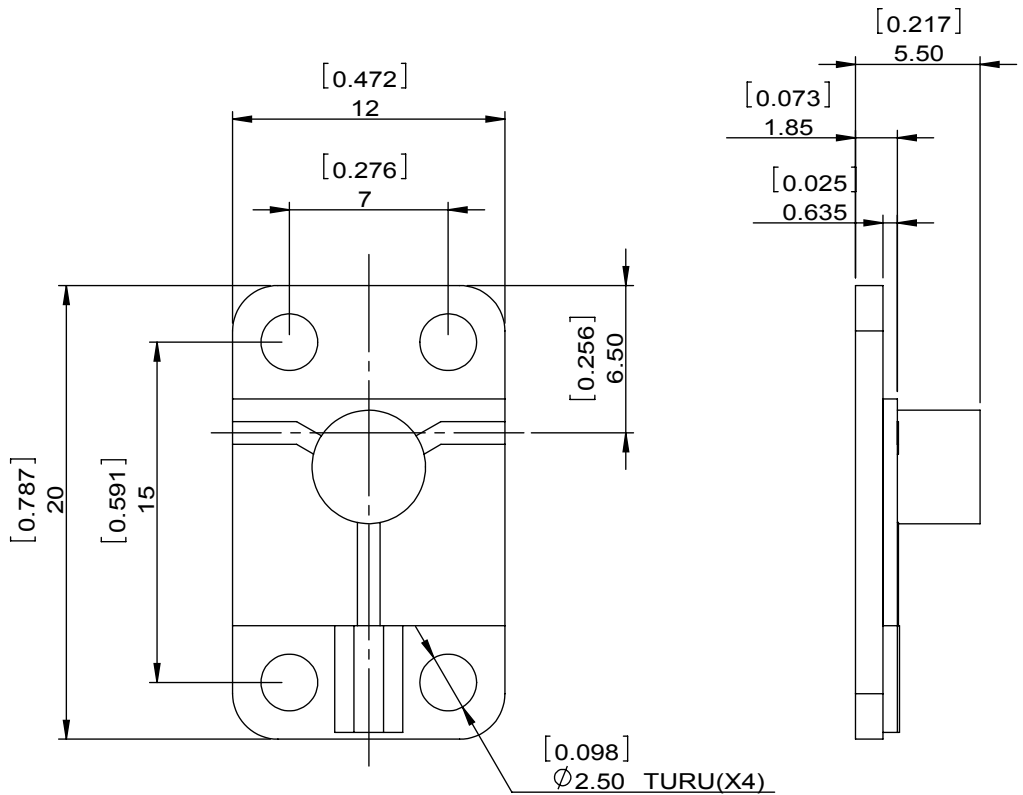


|              |               |      |     |      |             |         |            |          |  |   |  |
|--------------|---------------|------|-----|------|-------------|---------|------------|----------|--|---|--|
| 1            |               | 2    |     | 3    |             | 4       |            | 5        |  | 6 |  |
| Document No. | QR4-700-T-003 | REV. | A/0 | REV. | DESCRIPTION | REVISOR | DATE       | APPROVED |  |   |  |
|              |               | 0    |     |      |             | LH.Mao  | 12.01.2016 | David    |  |   |  |



| SPECIFICATIONS                  |           |
|---------------------------------|-----------|
| Part's Number                   | 3CMS78-2  |
| Frequency(GHz)                  | 7.10-8.50 |
| Direction                       | CW        |
| Insertion Loss(dB)MAX           | 0.55      |
| Insertion Loss Ripple           |           |
| Isolation(dB)MIN                | 18        |
| Return Loss(dB)MIN              | 17.69     |
| 3rd IMD(dBc)MAX                 |           |
| Power FWD/REV/PK(Watt)          | 5/5/-     |
| Operating Temperature(°C)       | -30~+70   |
| Storage Temperature(°C)         |           |
| 2nd/3rd Harmonic(dBc)           |           |
| Termination/Attenuator(Watt/dB) | 5         |
| Tab(W×LG×THK)(mm[Inch])         |           |
| Additional Notes                | GWB       |

| DORADO Millimeter Corp                   |                     |                               |            |       |
|--|---------------------|-------------------------------|------------|-------|
| MATERIAL:                                | DWG NO:<br>3CMS78-2 |                               |            |       |
| SURFACE TREATMENT:                       | DWG BY:             | LH.Mao                        | 12.01.2016 | SCALE |
|  | CHK'D BY:           |                               |            |       |
| DESCRIPTION:<br>MICROSTRIP<br>CIRCULATOR | APPV'D BY:          |                               |            | 3:1   |
|  | Unit:               | Tolerance:                    | The First: | A4    |
|  | mm[inch]            | Liner: ±0.25<br>Anguar: ±0.5° |            |       |



This document is the property of DORADO Millimeter Corp. It cannot be copied, duplicated, used for manufacturing purposes or communicated to third party as a whole or partly, without the written consent of DORADO Millimeter Corp.