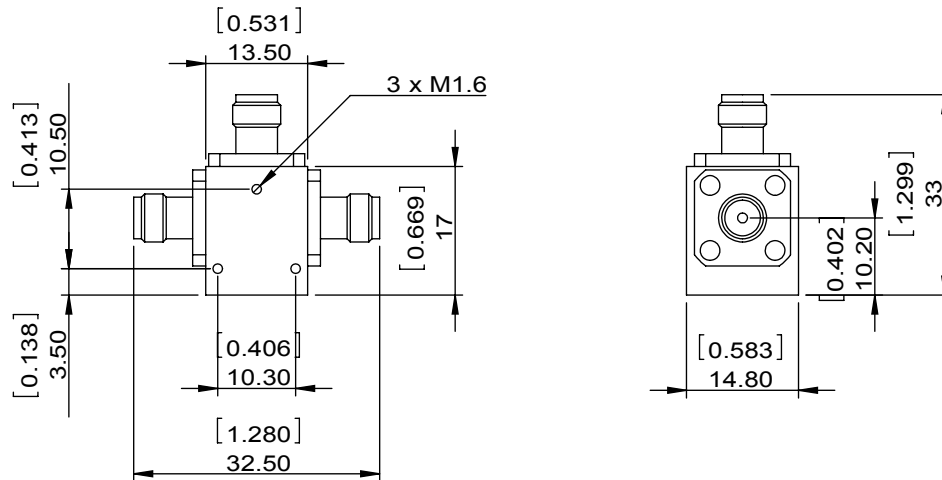


1		2		3		4		5		6		
Document No. QR4-700-T-003								REV.	DESCRIPTION	REVISOR	DATE	APPROVED
REV. A/0								0		LH.Mao	03.22.2017	David



SPECIFICATIONS	
Part's Number	3ICC82-1
Frequency(GHz)	8.00~8.50
Direction	CW
Insertion Loss(dB) TYP/MAX	0.25/0.3
Insertion Loss Ripple	
Isolation(dB) TYP/MIN	23/21
Return Loss(dB) TYP/MIN	23.13/19.08
3rd IMD(dBc)MAX	
Power FWD/REV/PK(Watt)	1/-/-
Operating Temperature(°C)	-196/+15 ~ +35
Storage Temperature(°C)	
2nd/3rd Harmonic(dBc)	
Termination/Attenuator(Watt/dB)	
Tab(W×LG×THK)(mm[Inch])	
Additional Notes	GWB

<b>DORADO Millimeter Wave</b>				
<b>MATERIAL:</b>		<b>DWG NO:</b> 3ICC82-1		
<b>SURFACE TREATMENT:</b>		DWG BY:	LH.Mao	03.22.2017
<b>DESCRIPTION:</b> Cryogenic Isolator		CHK'D BY:		SCALE
		APP'V'D BY:		1:1
		Unit: mm[inch]	Tolerance: Liner: ±0.25 Anguar: ±0.5°	The First: 
				A4



This document is the property of DORADO Millimeter Wave. It cannot be copied, duplicated, used for manufacturing purposes or communicated to third party as a whole or partly, without the written consent of DORADO Millimeter Wave.