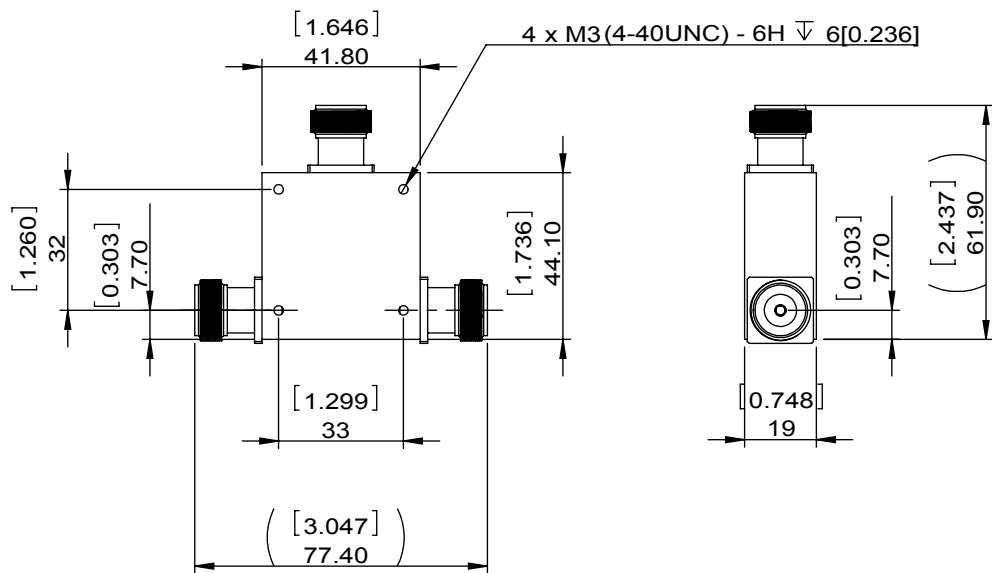


1		2		3		4		5		6	
Document No.	QR4-700-T-003	REV.	A/0	REV.	DESCRIPTION	REVISOR	DATE	APPROVED			
		0				LH.Mao	02.22.2017	David			



SPECIFICATIONS	
Part's Number	3ICS33-1
Frequency(GHz)	2.60~3.90
Direction	CW
Insertion Loss(dB) TYP/MAX	0.3/0.4
Insertion Loss Ripple	
Isolation(dB) TYP/MIN	20/15
Return Loss(dB) TYP/MIN	19.08/15.56
3rd IMD(dBc)MAX	
Power FWD/REV/PK(Watt)	50/-/-
Operating Temperature(°C)	25/-60~+85
Storage Temperature(°C)	
2nd/3rd Harmonic(dBc)	
Termination/Attenuator(Watt/dB)	
Tab(W×LG×THK)(mm[Inch])	
Additional Notes	GWB

**DORADO INTERNATIONAL** **DORADO Millimeter Wave**

<b>MATERIAL:</b>	<b>DWG NO:</b> 3ICS33-1			
<b>SURFACE TREATMENT:</b>	DWG BY:	LH.Mao	02.22.2017	SCALE
	CHK'D BY:			
<b>DESCRIPTION:</b> <b>BROADBAND ISOLATOR</b>	APPV'D BY:			1:2
	Unit:	Tolerance:	The First:	A4
	mm[inch]	Liner: ±0.25 Anguar: ±0.5°		



This document is the property of DORADO Millimeter Corp. It cannot be copied, duplicated, used for manufacturing purposes or communicated to third party as a whole or partly, without the written consent of DORADO Millimeter Corp.