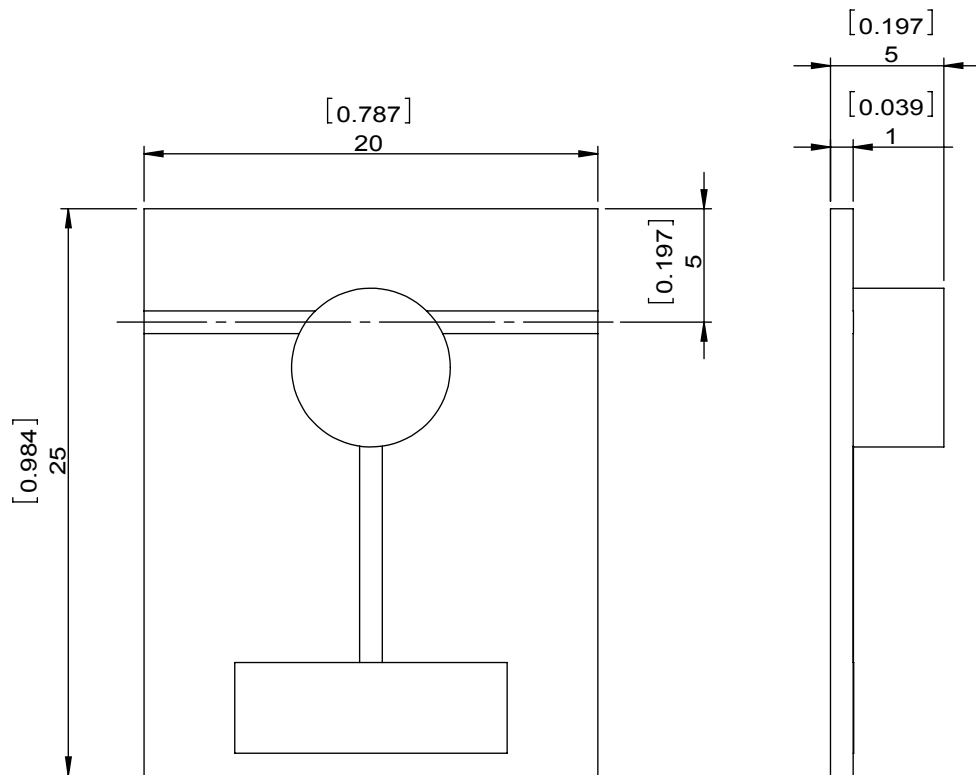


1		2		3		4		5		6		
Document No. QR4-700-T-003								REV.	DESCRIPTION	REVISOR	DATE	APPROVED
REV. A/0								0		LH.Mao	11.16.2016	David



SPECIFICATIONS	
Part's Number	3IMM24-4
Frequency(GHz)	2.10-2.60
Direction	CW
Insertion Loss(dB)MAX	0.4
Insertion Loss Ripple	
Isolation(dB)MIN	20
Return Loss(dB)MIN	20.83
3rd IMD(dBc)MAX	
Power FWD/REV/PK(Watt)	5/0.25/-
Operating Temperature(°C)	-10~+50
Storage Temperature(°C)	
2nd/3rd Harmonic(dBc)	
Termination/Attenuator(Watt/dB)	0.25
Tab(W×LG×THK)(mm[Inch])	
Additional Notes	GWB

DORADO Millimeter Corp				
<b>MATERIAL:</b>		<b>DWG NO:</b>		
		3IMM24-4		
<b>SURFACE TREATMENT:</b>		DWG BY:	LH.Mao	11.16.2016
		CHK'D BY:		SCALE
<b>DESCRIPTION:</b>		APPV'D BY:		3:1
MICROSTRIP ISOLATOR		Unit:	Tolerance:	The First:
		mm[inch]	Liner: ±0.25	
			Anguar: ±0.5°	A4



This document is the property of DORADO Millimeter Corp. It cannot be copied, duplicated, used for manufacturing purposes or communicated to third party as a whole or partly, without the written consent of DORADO Millimeter Corp.