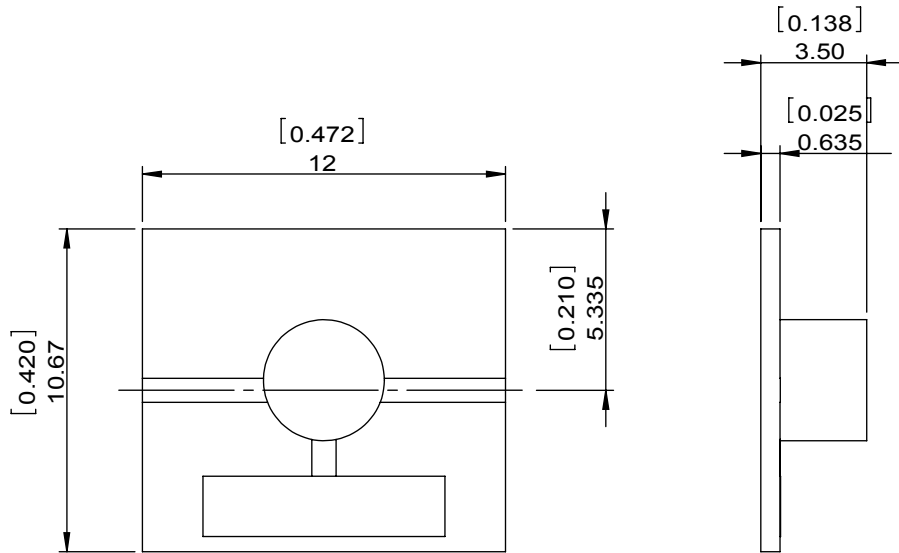


1		2		3		4		5		6	
Document No.	QR4-700-T-003	REV.	A/0	REV.	DESCRIPTION	REVISOR	DATE	APPROVED			
		0		LH.Mao		11.16.2016	David				



SPECIFICATIONS	
Part's Number	3IMM78-4A
Frequency(GHz)	7.10-8.50
Direction	CW
Insertion Loss(dB)MAX	0.6
Insertion Loss Ripple	
Isolation(dB)MIN	16
Return Loss(dB)MIN	15.56
3rd IMD(dBc)MAX	
Power FWD/REV/PK(Watt)	5/1/-
Operating Temperature(°C)	-10~+70
Storage Temperature(°C)	
2nd/3rd Harmonic(dBc)	
Termination/Attenuator(Watt/dB)	1
Tab(W×LG×THK)(mm[Inch])	
Additional Notes	GWB

DORADO INTERNATIONAL **DORADO Millimeter Corp**

MATERIAL:	DWG NO: 3IMM78-4A			
SURFACE TREATMENT:	DWG BY:	LH.Mao	11.16.2016	SCALE
	CHK'D BY:			
DESCRIPTION: MICROSTRIP ISOLATOR	APPV'D BY:			4:1
	Unit:	Tolerance:	The First:	A4
	mm[inch]	Liner: ±0.25 Anguar: ±0.5°		



This document is the property of DORADO Millimeter Corp. It cannot be copied, duplicated, used for manufacturing purposes or communicated to third party as a whole or partly, without the written consent of DORADO Millimeter Corp.