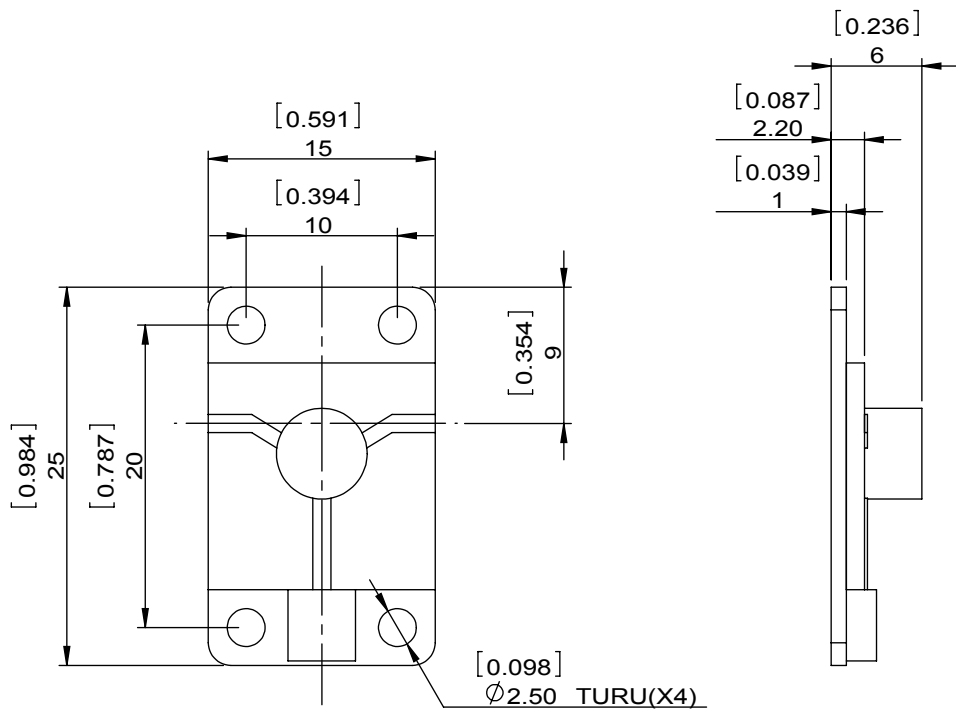


1		2		3		4		5		6		
Document No. QR4-700-T-003								REV.	DESCRIPTION	REVISOR	DATE	APPROVED
REV. A/0								0		LH.Mao	11.01.2016	David



SPECIFICATIONS	
Part's Number	3IMS35-1
Frequency(GHz)	3.40-3.60
Direction	CW
Insertion Loss(dB)MAX	0.4
Insertion Loss Ripple	
Isolation(dB)MIN	20
Return Loss(dB)MIN	20.83
3rd IMD(dBc)MAX	
Power FWD/REV/PK(Watt)	10/10/-
Operating Temperature(°C)	-30~+70
Storage Temperature(°C)	
2nd/3rd Harmonic(dBc)	
Termination/Attenuator(Watt/dB)	10
Tab(W×LG×THK)(mm[Inch])	
Additional Notes	GWB

DORADO Millimeter Corp				
MATERIAL:		DWG NO: 3IMS35-1		
SURFACE TREATMENT:		DWG BY:	LH.Mao	11.01.2016
DESCRIPTION: MICROSTRIP ISOLATOR		CHK'D BY:		SCALE
		APPV'D BY:		2:1
		Unit: mm[inch]	Tolerance: Liner: ±0.25 Anguar: ±0.5°	The First:
				A4



This document is the property of DORADO Millimeter Corp. It cannot be copied, duplicated, used for manufacturing purposes or communicated to third party as a whole or partly, without the written consent of DORADO Millimeter Corp.