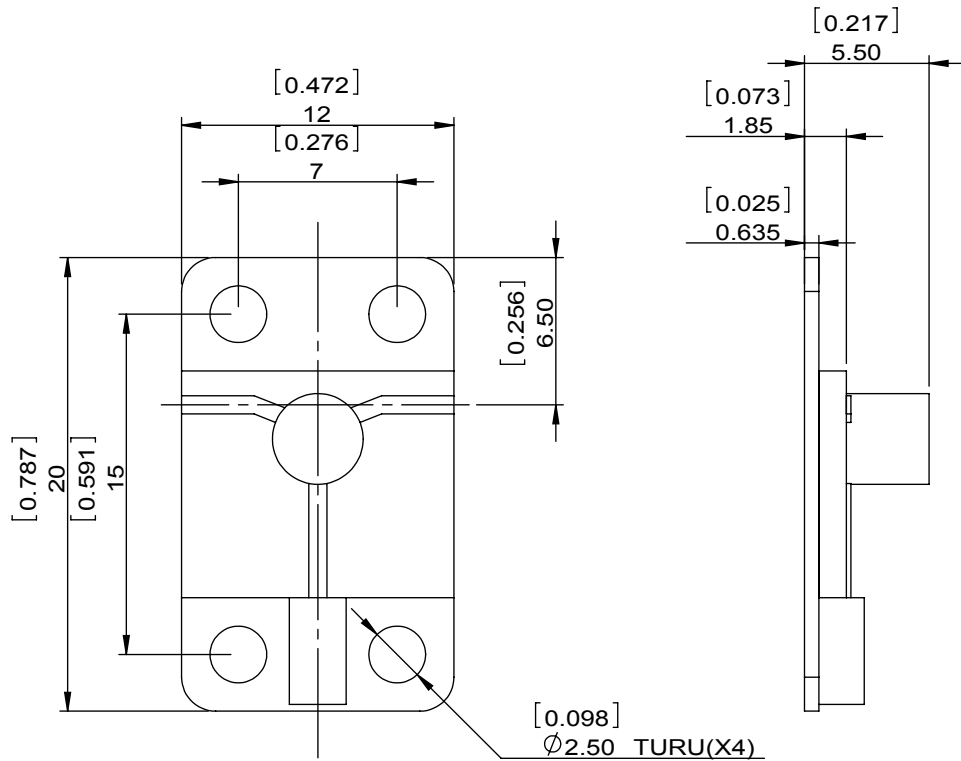


| | | | | | | | | | | | |
|--------------|---------------|------|-----|------|-------------|---------|------------|----------|--|---|--|
| 1 | | 2 | | 3 | | 4 | | 5 | | 6 | |
| Document No. | QR4-700-T-003 | REV. | A/0 | REV. | DESCRIPTION | REVISOR | DATE | APPROVED | | | |
| | | 0 | | | | LH.Mao | 11.01.2016 | David | | | |



| SPECIFICATIONS | |
|---------------------------------|-----------|
| Part's Number | 3IMS65-2 |
| Frequency(GHz) | 5.80-7.20 |
| Direction | CW |
| Insertion Loss(dB)MAX | 0.5 |
| Insertion Loss Ripple | |
| Isolation(dB)MIN | 20 |
| Return Loss(dB)MIN | 19.08 |
| 3rd IMD(dBc)MAX | |
| Power FWD/REV/PK(Watt) | 10/2/- |
| Operating Temperature(°C) | -30~+70 |
| Storage Temperature(°C) | |
| 2nd/3rd Harmonic(dBc) | |
| Termination/Attenuator(Watt/dB) | 2 |
| Tab(W×LG×THK)(mm[Inch]) | |
| Additional Notes | GWB |

| | | | | |
|--|--|----------------------------|---|----------------|
| DORADO Millimeter Corp | | | | |
| MATERIAL: | | DWG NO: 3IMS65-2 | | |
| SURFACE TREATMENT: | | DWG BY: | LH.Mao | 11.01.2016 |
| DESCRIPTION: MICROSTRIP ISOLATOR | | CHK'D BY: | | SCALE |
| | | APPV'D BY: | | 3:1 |
| | | Unit: mm[inch] | Tolerance: Liner: ±0.25 Anguar: ±0.5° | The First: |
| | | | | A4 |



This document is the property of DORADO Millimeter Corp. It cannot be copied, duplicated, used for manufacturing purposes or communicated to third party as a whole or partly, without the written consent of DORADO Millimeter Corp.