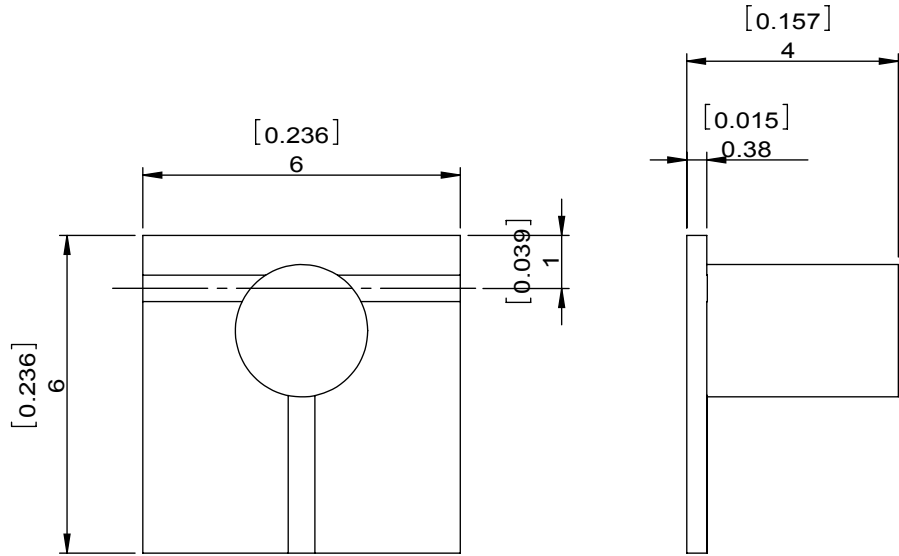


1		2		3		4		5		6	
Document No.	QR4-700-T-003	REV.	A/0	REV.	DESCRIPTION	REVISOR	DATE	APPROVED			
		0				LH.Mao	11.18.2016	David			



SPECIFICATIONS	
Part's Number	4CMM20-2
Frequency(GHz)	19.00-21.20
Direction	CW
Insertion Loss(dB)MAX	0.9
Insertion Loss Ripple	19
Isolation(dB)MIN	
Return Loss(dB)MIN	19.08
3rd IMD(dBc)MAX	
Power FWD/REV/PK(Watt)	2/2/-
Operating Temperature(°C)	-30~+70
Storage Temperature(°C)	
2nd/3rd Harmonic(dBc)	
Termination/Attenuator(Watt/dB)	2
Tab(W×LG×THK)(mm[Inch])	
Additional Notes	GWB

DORADO Millimeter Corp				
MATERIAL:	DWG NO: 4CMM20-2			
SURFACE TREATMENT:	DWG BY:	LH.Mao	11.18.2016	SCALE
DESCRIPTION: MICROSTRIP CIRCULATOR	CHK'D BY:			7:1
	APP'V'D BY:			A4
	Unit: mm[inch]	Tolerance: Liner: ±0.25 Anguar: ±0.5°	The First: 	



This document is the property of DORADO Millimeter Corp. It cannot be copied, duplicated, used for manufacturing purposes or communicated to third party as a whole or partly, without the written consent of DORADO Millimeter Corp.