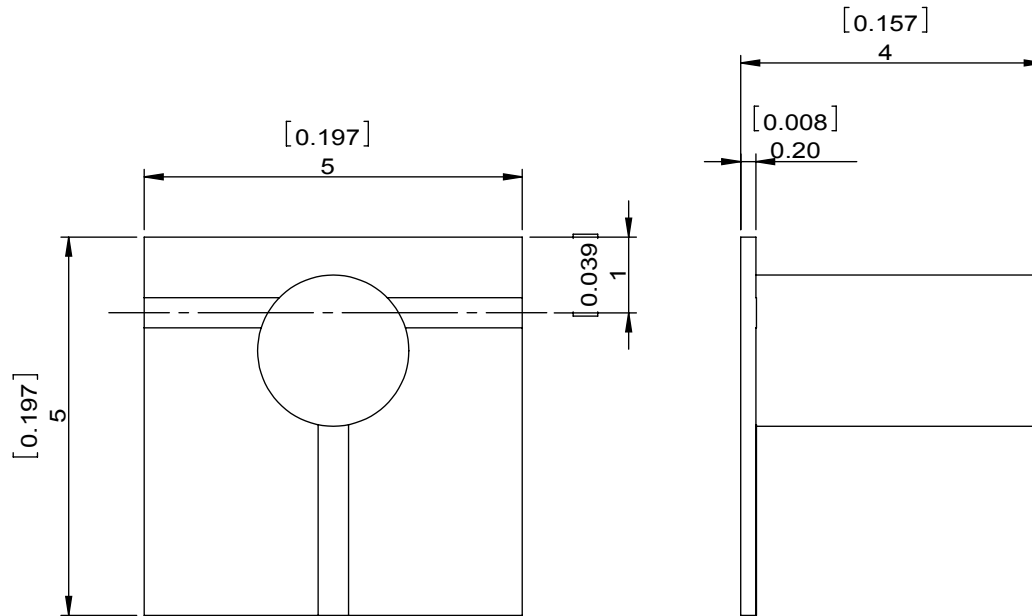


1		2		3		4		5		6	
Document No.	QR4-700-T-003	REV.	A/0	REV.	DESCRIPTION	REVISOR	DATE	APPROVED			
		0		LH.Mao	11.18.2016	David					



SPECIFICATIONS	
Part's Number	4CMM40-1
Frequency(GHz)	39.00-41.00
Direction	CW
Insertion Loss(dB)MAX	1
Insertion Loss Ripple	
Isolation(dB)MIN	17
Return Loss(dB)MIN	16.54
3rd IMD(dBc)MAX	
Power FWD/REV/PK(Watt)	1/1/-
Operating Temperature(°C)	-10~+50
Storage Temperature(°C)	
2nd/3rd Harmonic(dBc)	
Termination/Attenuator(Watt/dB)	1
Tab(W×LG×THK)(mm[Inch])	
Additional Notes	GWB

DORADO Millimeter Corp				
<b>MATERIAL:</b>	<b>DWG NO:</b> 4CMM40-1			
<b>SURFACE TREATMENT:</b>	DWG BY:	LH.Mao	11.18.2016	SCALE
<b>DESCRIPTION:</b> MICROSTRIP CIRCULATOR	CHK'D BY:			10:1
	APP'V'D BY:			
	Unit: mm[inch]	Tolerance: Liner: ±0.25 Anguar: ±0.5°	The First:	A4



This document is the property of DORADO Millimeter Corp. It cannot be copied, duplicated, used for manufacturing purposes or communicated to third party as a whole or partly, without the written consent of DORADO Millimeter Corp.