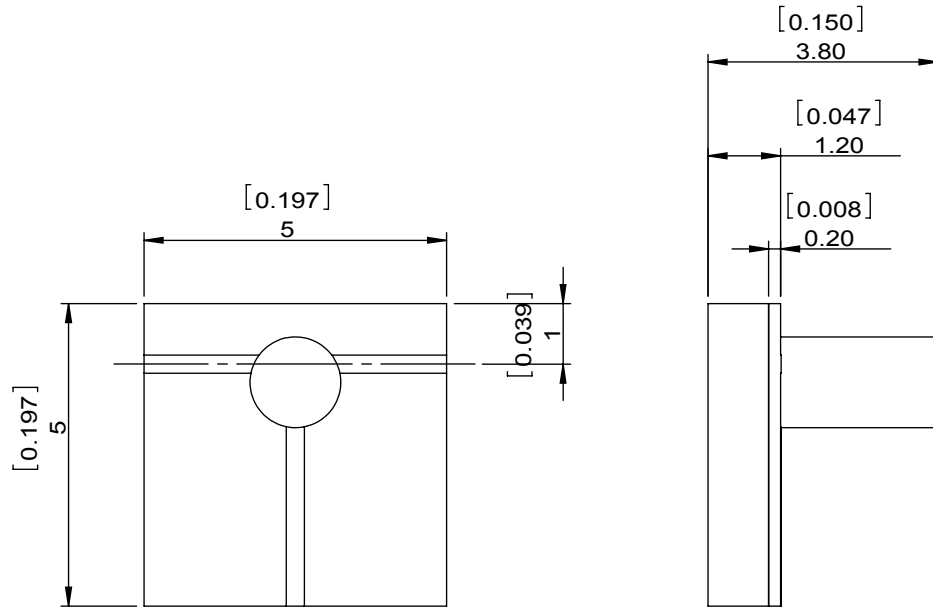


|              |               |      |     |      |             |         |            |          |  |   |  |
|--------------|---------------|------|-----|------|-------------|---------|------------|----------|--|---|--|
| 1            |               | 2    |     | 3    |             | 4       |            | 5        |  | 6 |  |
| Document No. | QR4-700-T-003 | REV. | A/0 | REV. | DESCRIPTION | REVISOR | DATE       | APPROVED |  |   |  |
|              |               | 0    |     |      |             | LH.Mao  | 11.24.2016 | David    |  |   |  |



| SPECIFICATIONS                  |             |
|---------------------------------|-------------|
| Part's Number                   | 4CMS33-3Y   |
| Frequency(GHz)                  | 30.00-35.00 |
| Direction                       | CW          |
| Insertion Loss(dB)MAX           | 1           |
| Insertion Loss Ripple           |             |
| Isolation(dB)MIN                | 17          |
| Return Loss(dB)MIN              | 16.54       |
| 3rd IMD(dBc)MAX                 |             |
| Power FWD/REV/PK(Watt)          | 2/2/-       |
| Operating Temperature(°C)       | -30~+70     |
| Storage Temperature(°C)         |             |
| 2nd/3rd Harmonic(dBc)           |             |
| Termination/Attenuator(Watt/dB) | 2           |
| Tab(W×LG×THK)(mm[Inch])         |             |
| Additional Notes                | GWB         |

| DORADO Millimeter Corp                          |                             |   |            |       |
|---|-----------------------------|---|------------|-------|
| <b>MATERIAL:</b>                                | <b>DWG NO:</b><br>4CMS33-3Y |   |            |       |
| <b>SURFACE TREATMENT:</b>                       | DWG BY:                     | LH.Mao                                      | 11.24.2016 | SCALE |
| <b>DESCRIPTION:</b><br>MICROSTRIP<br>CIRCULATOR | CHK'D BY:                   |   |            | 8:1   |
|   | APP'V'D BY:                 |   |            | A4    |
|   | Unit:<br>mm[inch]           | Tolerance:<br>Liner: ±0.25<br>Anguar: ±0.5° | The First: |       |



This document is the property of DORADO Millimeter Corp. It cannot be copied, duplicated, used for manufacturing purposes or communicated to third party as a whole or partly, without the written consent of DORADO Millimeter Corp.