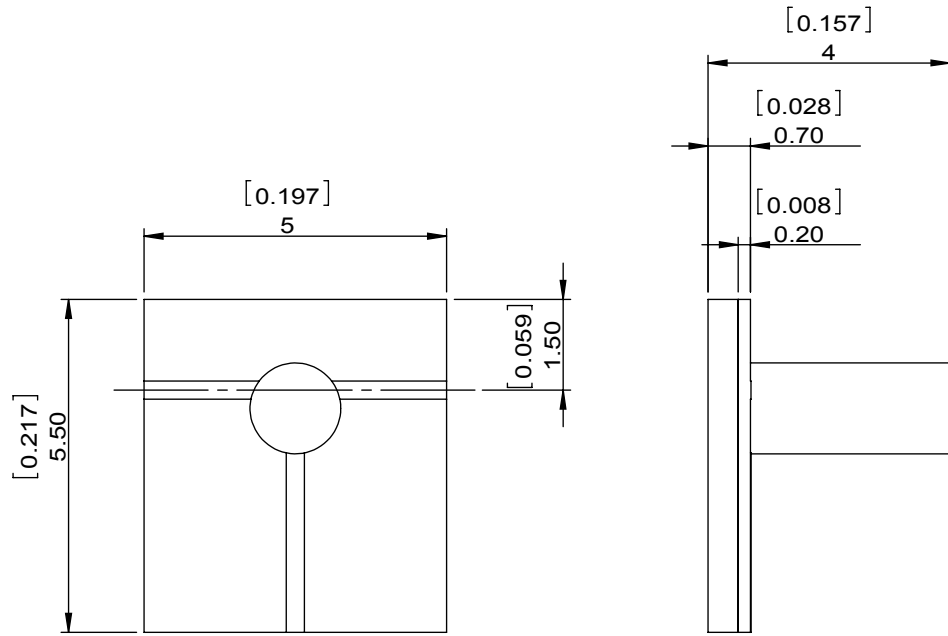


1		2		3		4		5		6			
Document No.	QR4-700-T-003	REV.	A/0	REV.	DESCRIPTION	REVISOR	DATE	APPROVED	0		LH.Mao	11.24.2016	David



SPECIFICATIONS	
Part's Number	4CMS36-1
Frequency(GHz)	34.40-38.60
Direction	CW
Insertion Loss(dB)MAX	1
Insertion Loss Ripple	
Isolation(dB)MIN	17
Return Loss(dB)MIN	15.56
3rd IMD(dBc)MAX	
Power FWD/REV/PK(Watt)	2/2/-
Operating Temperature(°C)	-10~+50
Storage Temperature(°C)	
2nd/3rd Harmonic(dBc)	
Termination/Attenuator(Watt/dB)	2
Tab(W×LG×THK)(mm[Inch])	
Additional Notes	GWB



MATERIAL:	DWG NO: 4CMS36-1			
SURFACE TREATMENT:	DWG BY:	LH.Mao	11.24.2016	SCALE
DESCRIPTION: MICROSTRIP CIRCULATOR	CHK'D BY:			8:1
	APP'V'D BY:			
	Unit: mm[inch]	Tolerance: Liner: ±0.25 Anguar: ±0.5°	The First:	A4



This document is the property of DORADO Millimeter Corp.
It cannot be copied, duplicated, used for manufacturing purposes
or communicated to third party as a whole or partly,
without the written consent of DORADO Millimeter Corp.