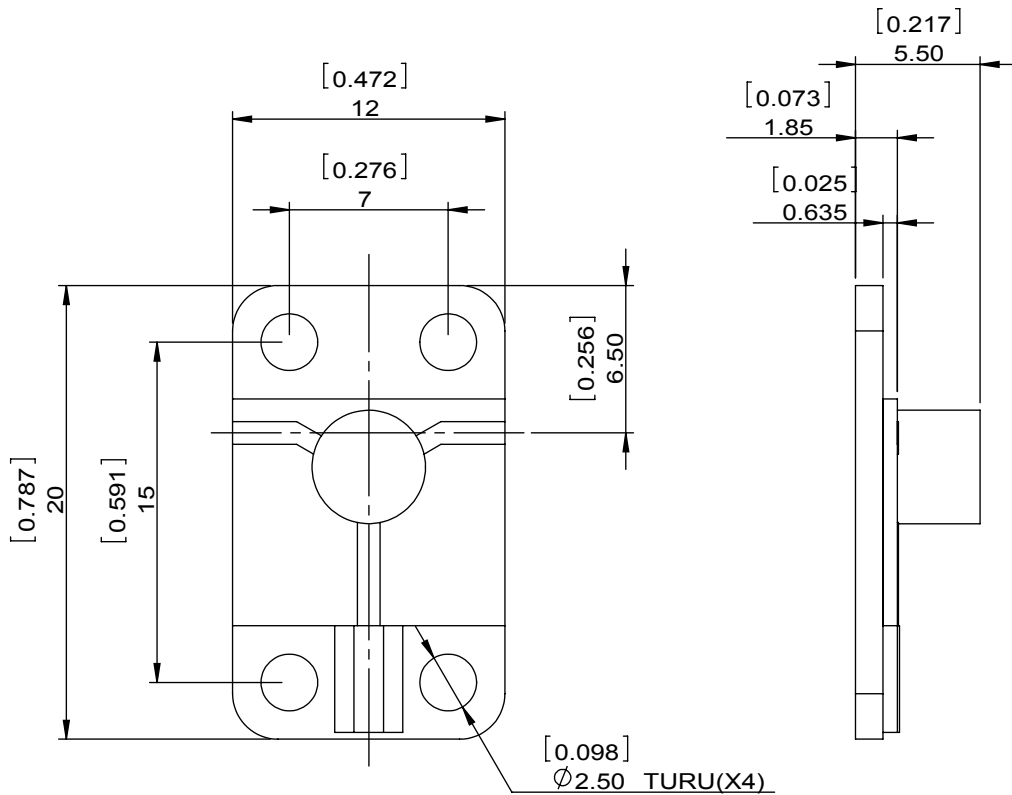


1		2		3		4		5		6	
Document No.		QR4-700-T-003		REV.		DESCRIPTION		REVISOR		DATE	
REV.		A/0		0				LH.Mao		12.01.2016	
										APPROVED	
										David	



SPECIFICATIONS	
Part's Number	4CMS(xx)-3X
Frequency(GHz)	5.70-7.40
Direction	CW
Insertion Loss(dB)MAX	0.5
Insertion Loss Ripple	
Isolation(dB)MIN	20
Return Loss(dB)MIN	20.08
3rd IMD(dBc)MAX	
Power FWD/REV/PK(Watt)	10/10/-
Operating Temperature(°C)	-30~+70
Storage Temperature(°C)	
2nd/3rd Harmonic(dBc)	
Termination/Attenuator(Watt/dB)	10
Tab(W×LG×THK)(mm[Inch])	
Additional Notes	GWB

DORADO Millimeter Corp				
<b>MATERIAL:</b>		<b>DWG NO:</b>		
		4CMS(xx)-3X		
<b>SURFACE TREATMENT:</b>		DWG BY:		SCALE
		LH.Mao		12.01.2016
		CHK'D BY:		
		APPV'D BY:		3:1
<b>DESCRIPTION:</b>		Unit:		The First:
<b>MICROSTRIP CIRCULATOR</b>		mm[inch]		
		Tolerance:		
		Liner: ±0.25		
		Anguar: ±0.5°		A4



This document is the property of DORADO Millimeter Corp. It cannot be copied, duplicated, used for manufacturing purposes or communicated to third party as a whole or partly, without the written consent of DORADO Millimeter Corp.