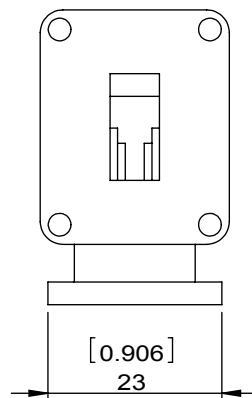
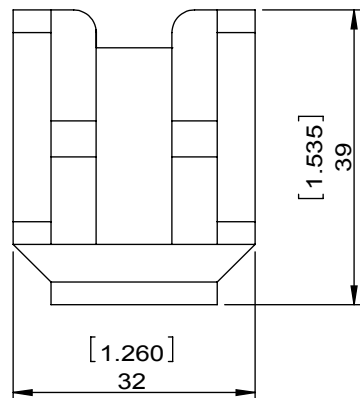


1		2		3		4		5		6	
Document No.		QR4-700-T-003		REV.		DESCRIPTION		REVISOR		DATE	
REV.		A/0		0				LH.Mao		03.24.2017	
										APPROVED	
										David	



SPECIFICATIONS	
Part's Number	4CWC22-1
Frequency(GHz)	18.0~26.5
Direction	CW
Insertion Loss(dB)MAX	0.2
Insertion Loss Ripple	
Isolation(dB)MIN	20
Return Loss(dB)MIN	20.08
3rd IMD(dBc)MAX	
Power FWD/REV/PK(Watt)	
Operating Temperature(°C)	4~77K
Storage Temperature(°C)	
2nd/3rd Harmonic(dBc)	
Termination/Attenuator(Watt/dB)	
Tab(W×LG×THK)(mm[Inch])	
Additional Notes	GWB

DORADO INTERNATIONAL **DORADO Millimeter Wave**

MATERIAL:	DWG NO: 4CWC22-1			
SURFACE TREATMENT:	DWG BY:	LH.Mao	03.24.2017	SCALE
	CHK'D BY:			
DESCRIPTION: Waveguide Circulator	APPV'D BY:			1:1
	Unit:	Tolerance:	The First:	A4
	mm[inch]	Liner: ±0.25 Anguar: ±0.5°		



This document is the property of DORADO Millimeter Wave. It cannot be copied, duplicated, used for manufacturing purposes or communicated to third party as a whole or partly, without the written consent of DORADO Millimeter Wave.