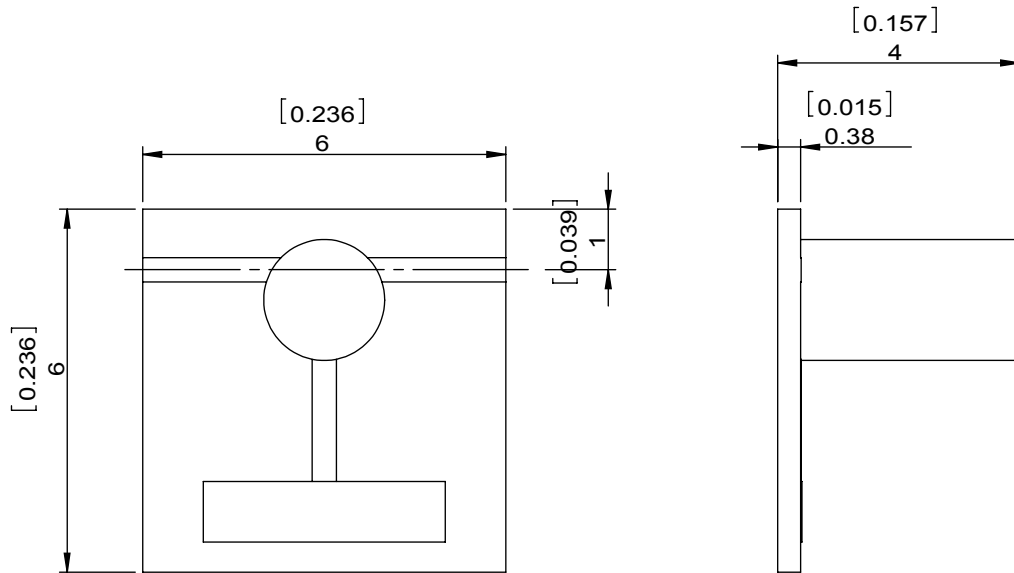


1		2		3		4		5		6	
Document No.	QR4-700-T-003	REV.	A/0	REV.	DESCRIPTION	REVISOR	DATE	APPROVED			
		0				LH.Mao	11.16.2016	David			



SPECIFICATIONS	
Part's Number	4IMM20-1
Frequency(GHz)	18.40-21.30
Direction	CW
Insertion Loss(dB)MAX	0.9
Insertion Loss Ripple	
Isolation(dB)MIN	18
Return Loss(dB)MIN	16.54
3rd IMD(dBc)MAX	
Power FWD/REV/PK(Watt)	2/1/-
Operating Temperature(°C)	-30~+70
Storage Temperature(°C)	
2nd/3rd Harmonic(dBc)	
Termination/Attenuator(Watt/dB)	1
Tab(W×LG×THK)(mm[Inch])	
Additional Notes	GWB

DORADO Millimeter Corp				
<b>MATERIAL:</b>	<b>DWG NO:</b> 4IMM20-1			
<b>SURFACE TREATMENT:</b>	DWG BY:	LH.Mao	11.16.2016	SCALE
<b>DESCRIPTION:</b> <b>MICROSTRIP ISOLATOR</b>	CHK'D BY:			<b>8:1</b>
	APPV'D BY:			
	Unit: mm[inch]	Tolerance: Liner: ±0.25 Anguar: ±0.5°	The First:	



This document is the property of DORADO Millimeter Corp. It cannot be copied, duplicated, used for manufacturing purposes or communicated to third party as a whole or partly, without the written consent of DORADO Millimeter Corp.