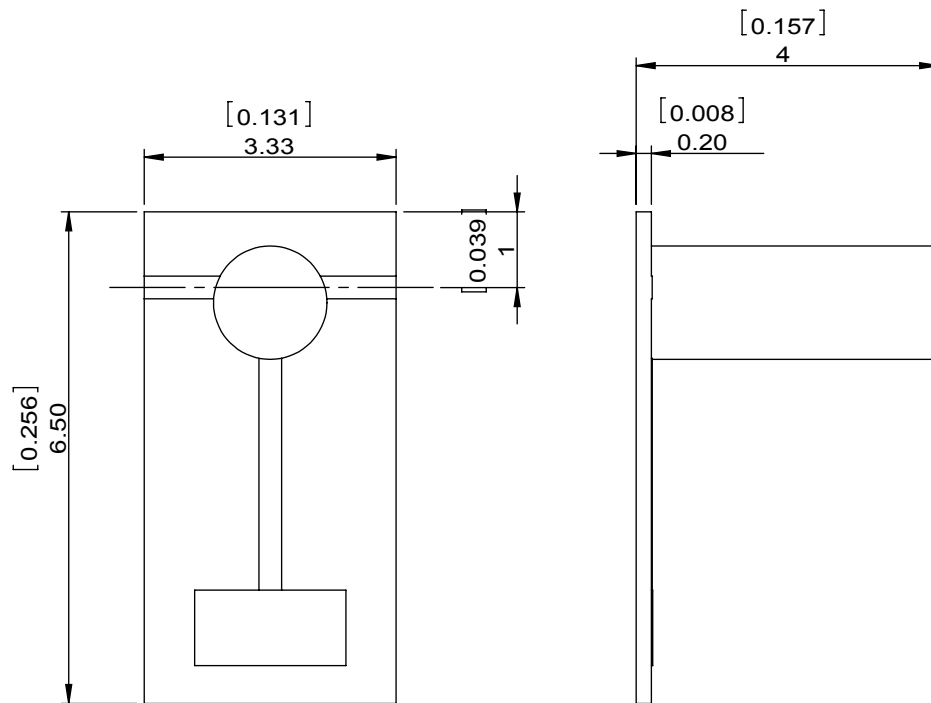


1		2		3		4		5		6	
Document No.		QR4-700-T-003		REV.		DESCRIPTION		REVISOR		DATE	
REV.		A/0		0				LH.Mao		11.16.2016	
										APPROVED	
										David	



SPECIFICATIONS	
Part's Number	4IMM36-3
Frequency(GHz)	35.00-37.00
Direction	CW
Insertion Loss(dB)MAX	0.9
Insertion Loss Ripple	
Isolation(dB)MIN	20
Return Loss(dB)MIN	17.69
3rd IMD(dBc)MAX	
Power FWD/REV/PK(Watt)	2/1/-
Operating Temperature(°C)	-30~+70
Storage Temperature(°C)	
2nd/3rd Harmonic(dBc)	
Termination/Attenuator(Watt/dB)	1
Tab(W×LG×THK)(mm[Inch])	
Additional Notes	GWB

**DORADO Millimeter Corp**

<b>MATERIAL:</b>	<b>DWG NO:</b> 4IMM36-3			
<b>SURFACE TREATMENT:</b>	DWG BY:	LH.Mao	11.16.2016	SCALE
	CHK'D BY:			
<b>DESCRIPTION:</b> MICROSTRIP ISOLATOR	APP'V'D BY:			10:1
	Unit: mm[inch]	Tolerance: Liner: ±0.25 Anguar: ±0.5°	The First:	A4



This document is the property of DORADO Millimeter Corp. It cannot be copied, duplicated, used for manufacturing purposes or communicated to third party as a whole or partly, without the written consent of DORADO Millimeter Corp.