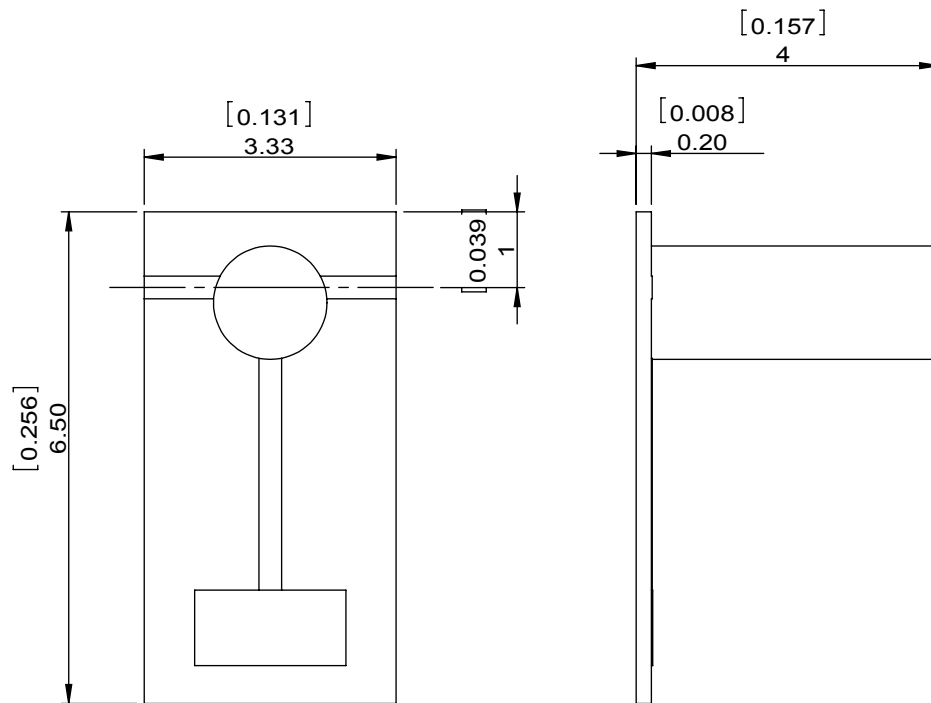


1		2		3		4		5		6	
Document No.	QR4-700-T-003	REV.	A/0	REV.	DESCRIPTION	REVISOR	DATE	APPROVED			
		0		LH.Mao	11.16.2016	David					



SPECIFICATIONS	
Part's Number	4IMM44-3
Frequency(GHz)	43.00-45.00
Direction	CW
Insertion Loss(dB)MAX	1.1
Insertion Loss Ripple	
Isolation(dB)MIN	18
Return Loss(dB)MIN	15.56
3rd IMD(dBc)MAX	
Power FWD/REV/PK(Watt)	1/0.5/-
Operating Temperature(°C)	-10~+50
Storage Temperature(°C)	
2nd/3rd Harmonic(dBc)	
Termination/Attenuator(Watt/dB)	0.5
Tab(W×LG×THK)(mm[Inch])	
Additional Notes	GWB

DORADO Millimeter Corp				
MATERIAL:	DWG NO: 4IMM44-3			
SURFACE TREATMENT:	DWG BY:	LH.Mao	11.16.2016	SCALE
DESCRIPTION: MICROSTRIP ISOLATOR	CHK'D BY:			10:1
	APP'V'D BY:			
	Unit: mm[inch]	Tolerance: Liner: ±0.25 Anguar: ±0.5°	The First:	A4



This document is the property of DORADO Millimeter Corp. It cannot be copied, duplicated, used for manufacturing purposes or communicated to third party as a whole or partly, without the written consent of DORADO Millimeter Corp.