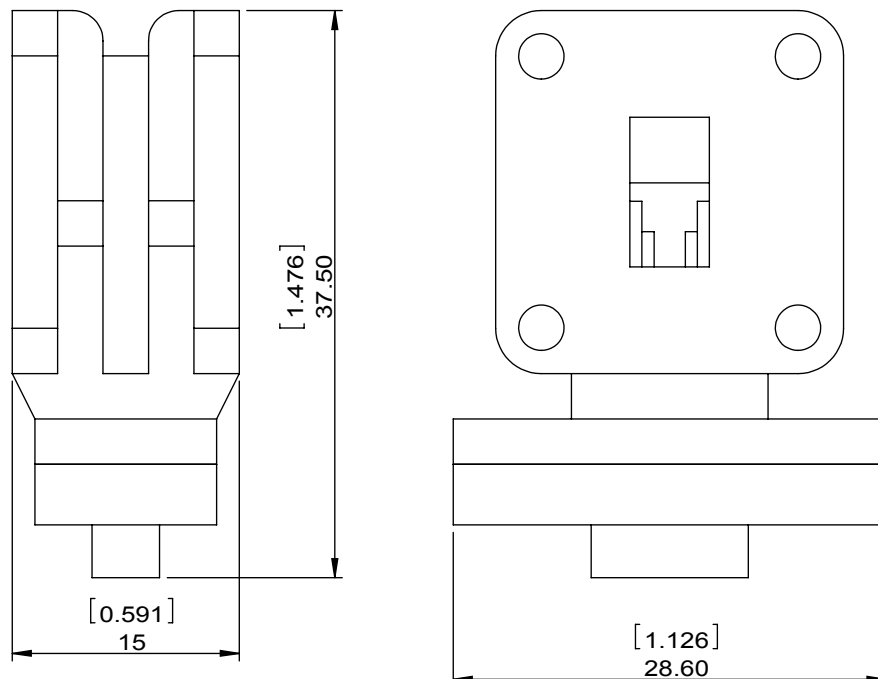


1		2		3		4		5		6	
Document No.	QR4-700-T-003	REV.	A/0	REV.	DESCRIPTION	REVISOR	DATE	APPROVED			
		0				LH.Mao	03.27.2017	David			



SPECIFICATIONS	
Part's Number	4IWC41-1
Frequency(GHz)	33.0~50.0
Direction	CW
Insertion Loss(dB)MAX	0.7
Insertion Loss Ripple	
Isolation(dB)MIN	13
Return Loss(dB)MIN	12.74
3rd IMD(dBc)MAX	
Power FWD/REV/PK(Watt)	
Operating Temperature(°C)	4~77K
Storage Temperature(°C)	
2nd/3rd Harmonic(dBc)	
Termination/Attenuator(Watt/dB)	
Tab(W×LG×THK)(mm[Inch])	
Additional Notes	GWB

DORADO Millimeter Wave				
<b>MATERIAL:</b>	<b>DWG NO:</b> 4IWC41-1			
<b>SURFACE TREATMENT:</b>	DWG BY:	LH.Mao	03.27.2017	SCALE
<b>DESCRIPTION:</b> Waveguide Isolator	CHK'D BY:			2:1
	APPV'D BY:			A4
	Unit: mm[inch]	Tolerance: Liner: ±0.25 Anguar: ±0.5°	The First:	



This document is the property of DORADO Millimeter Wave. It cannot be copied, duplicated, used for manufacturing purposes or communicated to third party as a whole or partly, without the written consent of DORADO Millimeter Wave.