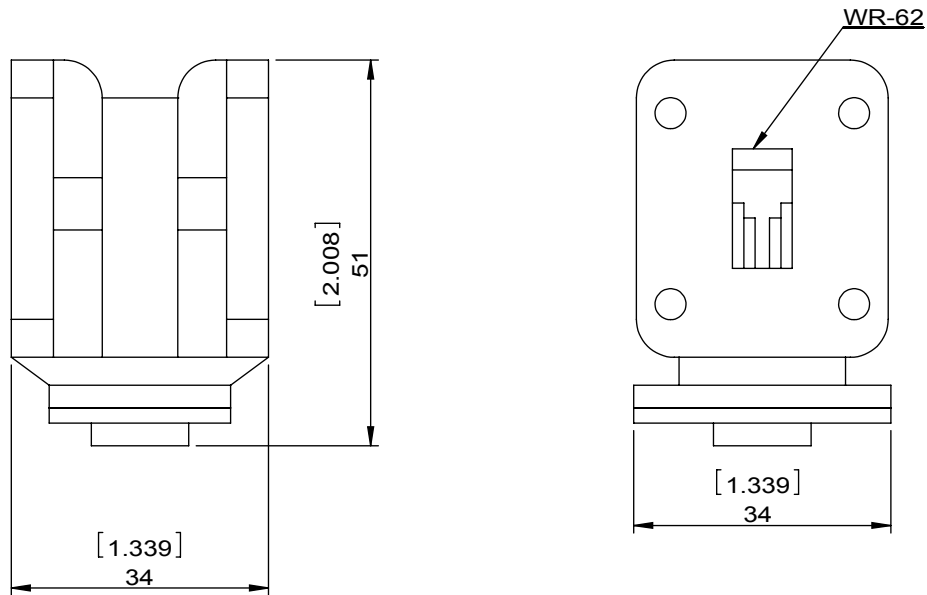


1		2		3		4		5		6	
Document No.	QR4-700-T-003	REV.	A/0	REV.	DESCRIPTION	REVISOR	DATE	APPROVED			
		0				LH.Mao	03.07.2017	David			



SPECIFICATIONS	
Part's Number	4IWY15-1
Frequency(GHz)	12.40~18.00
Direction	CW
Insertion Loss(dB) TYP/MAX	0.3/0.5
Insertion Loss Ripple	
Isolation(dB) TYP/MIN	20/18
Return Loss(dB) TYP/MIN	20.08/17.69
3rd IMD(dBc)MAX	
Power FWD/REV/PK(Watt)	1/-/-
Operating Temperature(°C)	-30~+70
Storage Temperature(°C)	
2nd/3rd Harmonic(dBc)	
Termination/Attenuator(Watt/dB)	
Tab(W×LG×THK)(mm[Inch])	
Additional Notes	GWB

DORADO INTERNATIONAL **DORADO Millimeter Wave**

MATERIAL:	DWG NO: 4IWY15-1			
SURFACE TREATMENT:	DWG BY:	LH.Mao	03.07.2017	SCALE
DESCRIPTION: Waveguide Isolator	CHK'D BY:			1:1
	APPV'D BY:			A4
	Unit: mm[inch]	Tolerance: Liner: ±0.25 Anguar: ±0.5°	The First: 	



This document is the property of DORADO Millimeter Corp. It cannot be copied, duplicated, used for manufacturing purposes or communicated to third party as a whole or partly, without the written consent of DORADO Millimeter Corp.