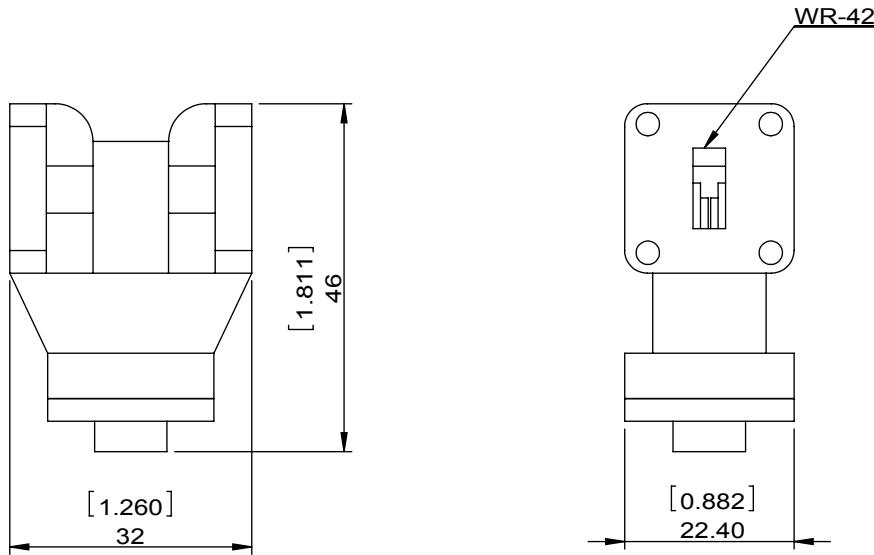


|              |               |      |     |      |             |         |            |          |  |   |  |
|--------------|---------------|------|-----|------|-------------|---------|------------|----------|--|---|--|
| 1            |               | 2    |     | 3    |             | 4       |            | 5        |  | 6 |  |
| Document No. | QR4-700-T-003 | REV. | A/0 | REV. | DESCRIPTION | REVISOR | DATE       | APPROVED |  |   |  |
|              |               | 0    |     |      |             | LH.Mao  | 03.07.2017 | David    |  |   |  |

| SPECIFICATIONS                  |             |
|---------------------------------|-------------|
| Part's Number                   | 4IWY22-1    |
| Frequency(GHz)                  | 18.00~26.50 |
| Direction                       | CW          |
| Insertion Loss(dB) TYP/MAX      | 0.3/0.5     |
| Insertion Loss Ripple           |             |
| Isolation(dB) TYP/MIN           | 20/18       |
| Return Loss(dB) TYP/MIN         | 20.08/17.69 |
| 3rd IMD(dBc)MAX                 |             |
| Power FWD/REV/PK(Watt)          | 1/-/-       |
| Operating Temperature(°C)       | -30~+70     |
| Storage Temperature(°C)         |             |
| 2nd/3rd Harmonic(dBc)           |             |
| Termination/Attenuator(Watt/dB) |             |
| Tab(W×LG×THK)(mm[Inch])         |             |
| Additional Notes                | GWB         |



**DORADO INTERNATIONAL** **DORADO Millimeter Wave**

|   |                            |                               |            |       |
|---|----------------------------|-------------------------------|------------|-------|
| <b>MATERIAL:</b>                          | <b>DWG NO:</b><br>4IWY22-1 |                               |            |       |
| <b>SURFACE TREATMENT:</b>                 | DWG BY:                    | LH.Mao                        | 03.07.2017 | SCALE |
|   | CHK'D BY:                  |                               |            |       |
| <b>DESCRIPTION:</b><br>Waveguide Isolator | APP'V'D BY:                |                               |            | 1:1   |
|   | Unit:                      | Tolerance:                    | The First: | A4    |
|   | mm[inch]                   | Liner: ±0.25<br>Anguar: ±0.5° |            |       |



This document is the property of DORADO Millimeter Corp. It cannot be copied, duplicated, used for manufacturing purposes or communicated to third party as a whole or partly, without the written consent of DORADO Millimeter Corp.