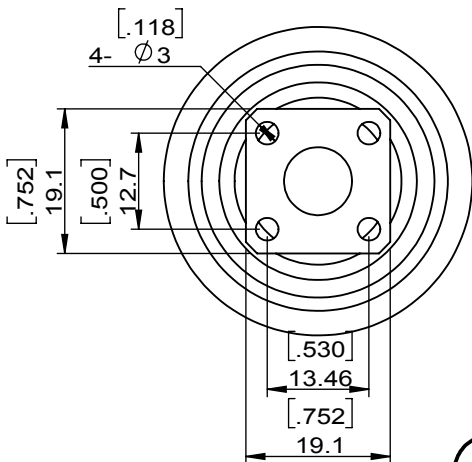
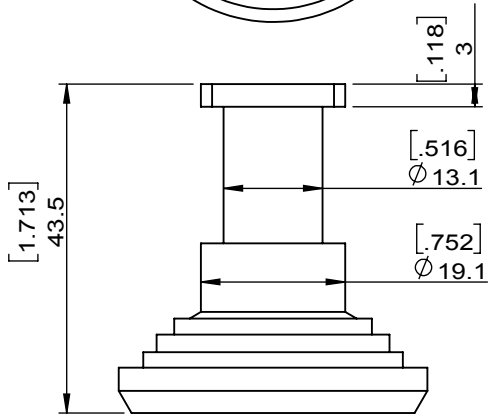
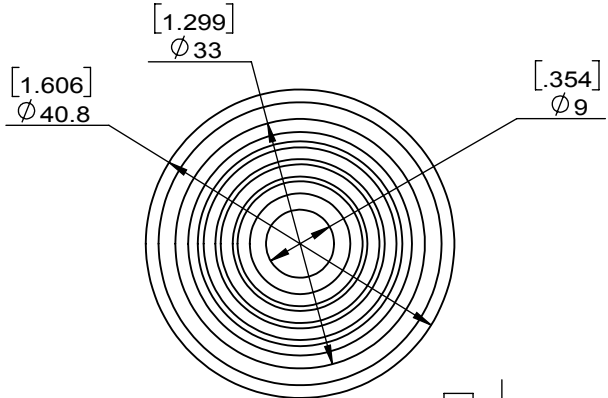


1		2		3		4		5		6	
Document No. QR4-700-T-003						REV. 0		DESCRIPTION		REVISOR Hu.Jiang	
REV. A/0								DATE 12.27.2018		APPROVED HC.Qiu	



Freq(GHz)	Gain
24	13.87
26	14.47
28	15.2
30	15.19
32	15.66
34	15.14
36	15.11
38	14.67
40	13.74



This document is the property of DORADO Millimeter Wave. It cannot be copied, duplicated, used for manufacturing purposes or communicated to third party as a whole or partly, without the written consent of DORADO Millimeter Wave.

SPECIFICATIONS	
Part's Number	CHA-24K0T42K0-15
Frequency(GHz)	24.00~42.00
Direction	
3 dB Beamwidth,E-plane @33GHz	35°@TYP
3 dB Beamwidth,H-plane @33GHz	35°@TYP
Polarization (dual)	Linear / Circular
Gain	15dB
Sidelobe Levels	-25dB
Specification Temperature	25°C
Storage Temperature(°C)	-
2nd/3rd Harmonic(dBc)	-
Termination/Attenuator(Watt/dB)	-
Tab(W×LG×THK)(mm[Inch])	
Additional Notes	-

DORADO Millimeter Wave

MATERIAL: Brass		DWG NO: CHA-24K0T42K0-15	
SURFACE TREATMENT: gold plating inner surface		DWG BY: Hu.Jiang	12.27.2018
DESCRIPTION: Corrugated Horn Antenna		CHK'D BY:	SCALE
		APP'V'D BY:	1:1
Unit: mm[inch]	Tolerance: Liner: ±0.25 Anguar: ±0.5°	The First:	A4