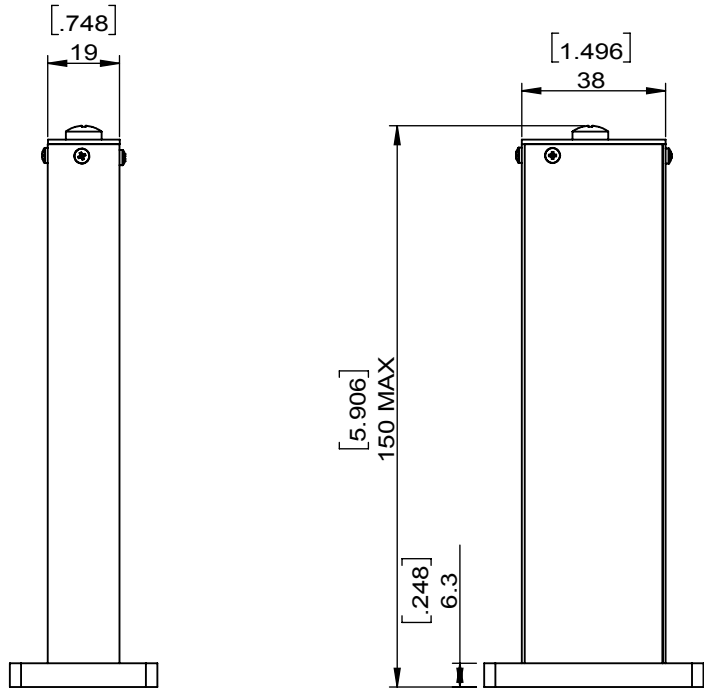
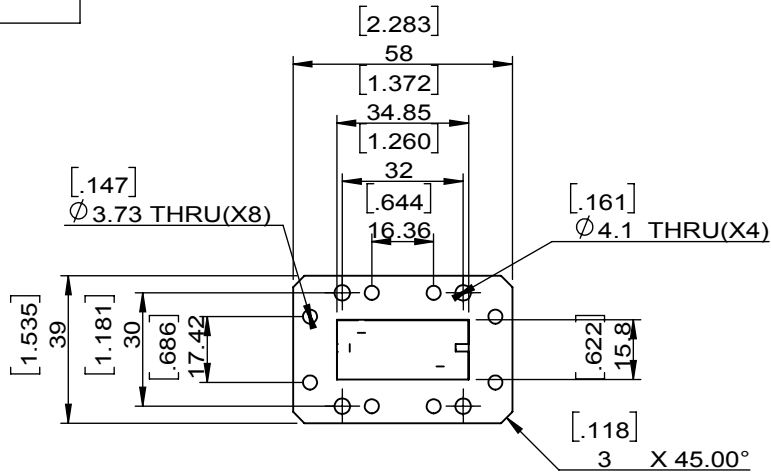


1		2		3		4		5		6	
Document No.	QR4-700-T-003	REV.	A/0	REV.	DESCRIPTION	REVISOR	DATE	APPROVED			
				0		Hu.Jiang	07.10.2020	HC.Qiu			



SPECIFICATIONS	
Part's Number	JAIWR137-5600T6400
Frequency(GHz)	5.600~6.400
Direction	
Insertion Loss(dB)MAX	
Isolation(dB)MIN	
Return Loss(dB)MIN	26.0
3rd IMD(dBc)MAX	-
Power FWD/REV/PK(Watt)	
Operating Temperature(°C)	-20~+60
Storage Temperature(°C)	-
2nd/3rd Harmonic(dBc)	-
Termination/Attenuator(Watt/dB)	-
Tab(W×LG×THK)(mm[Inch])	
Additional Notes	-

JQL JQL Technologies Corporation				
MATERIAL: Brass		DWG NO: JAIWR137-5600T6400		
SURFACE TREATMENT: Silver plating		DWG BY:	Hu.Jiang	07.10.2020
DESCRIPTION: waveguide termination		CHK'D BY:		SCALE
		APPV'D BY:		1:2
		Unit: mm[inch]	Tolerance: Liner: ±0.25 Anguar: ±0.5°	The First:
				A4



This document is the property of JQL Technologies Corporation. It cannot be copied, duplicated, used for manufacturing purposes or communicated to third party as a whole or partly, without the written consent of JQL Technologies Corporation.